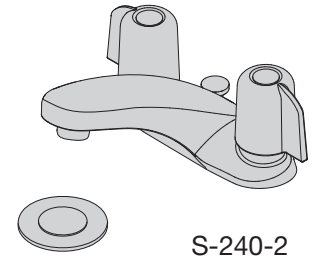


SYMMONS® Symmetrix®

Lavatory Faucet S-240 Series

Specification Submittal



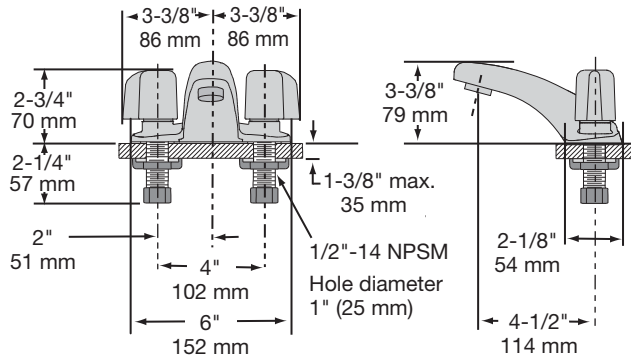
S-240-2

Feature Highlights

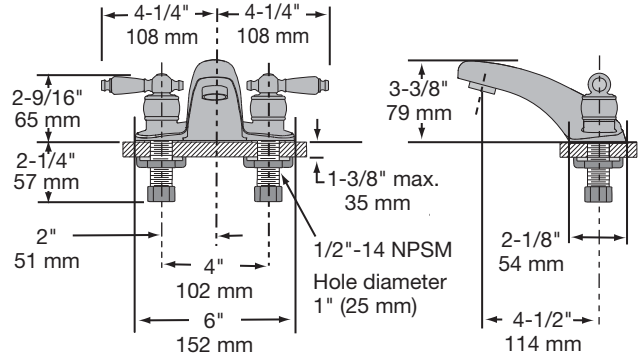
- Two handle 4 inch centerset lavatory faucet with quarter turn ceramic components.
- Blade metal finish handles with red & blue indicators on handle
- 1/2 inch IPS shanks
- Aerator, 2.2 gpm flow rate (8.3 L/min)
- Metal construction, polished chrome finish

S-240 series handle options				
LAM / LPO / LCF	LTM	CR	LWG	LCT
<h4>Ordering Information</h4> <h5>Model Numbers</h5> <p>Append appropriate -suffix to model number.</p> <ul style="list-style-type: none"> <input type="checkbox"/> S-240 Faucet only <input type="checkbox"/> S-240-0 Faucet only, with no lift rod hole <input type="checkbox"/> S-240-1 Faucet with lift rod <input type="checkbox"/> S-240-2 Faucet with pop-up drain & lift rod <h5>Handle Options</h5> <p>Append appropriate -suffix to model number.</p> <ul style="list-style-type: none"> <input type="checkbox"/> LAM Lever handle with metal finish, metal insert and red & blue indicators <input type="checkbox"/> LPO Lever handle with metal finish, white insert and red & blue indicators <input type="checkbox"/> LCF Lever handle with metal finish, clear faceted insert and red & blue indicators <input type="checkbox"/> LTM Lever handle with metal finish, red & blue indicators on handles <input type="checkbox"/> CR Cross handle with metal finish, and red & blue indicators on handles <input type="checkbox"/> LWG Wrist blade handle with metal finish and red & blue indicators on handles <input type="checkbox"/> LCT Clear acrylic handle with red & blue indicators on handles 			<h4>Finish Options</h4> <p>Append appropriate -suffix to model number.</p> <ul style="list-style-type: none"> <input type="checkbox"/> BRS Radiance® polished brass finish* <input type="checkbox"/> PCB Polished chrome and Radiance® polished brass finish* <input type="checkbox"/> STN Radiance® satin finish* <p>*Note (1) Handles with red/blue indicators are not available with decorative finishes. (2) Handles may not be available in all decorative finishes.</p> <h4>Other Options</h4> <p>Append appropriate -suffix to model number.</p> <ul style="list-style-type: none"> <input type="checkbox"/> G Grid drain in lieu of pop-up (S-240-2 only) <input type="checkbox"/> IPS 1/2 inch IPS connections <input type="checkbox"/> 1.5 1.5 gpm (5.7 L/min) flow restrictor, vandal resistant <input type="checkbox"/> FR .5 gpm flow (1.9 L/min) restrictor, vandal resistant <input type="checkbox"/> VP Vandal resistant aerator <input type="checkbox"/> NA Non-aerated , laminar flow outlet <input type="checkbox"/> OFG Offset grid strainer (S-240-2 only) 	

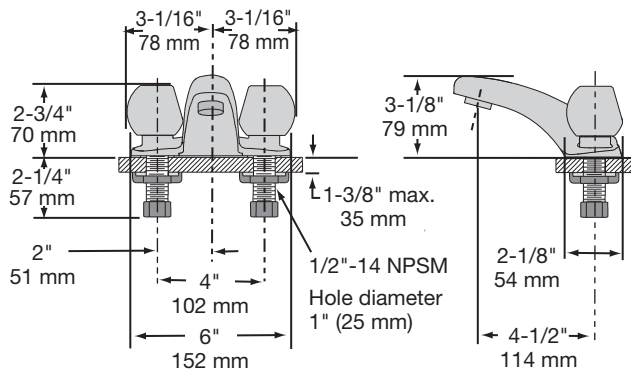
Dimensions S-240 series with standard handle



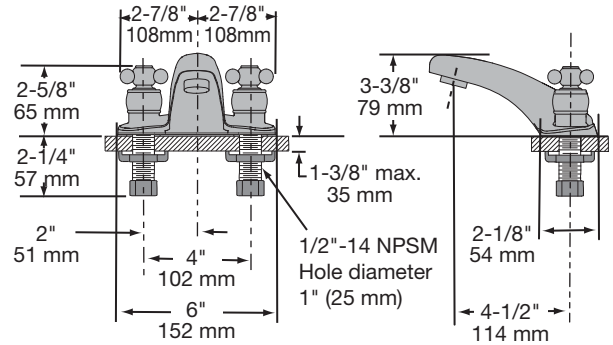
Dimensions S-240 series with LAM, LCF, LPO handles



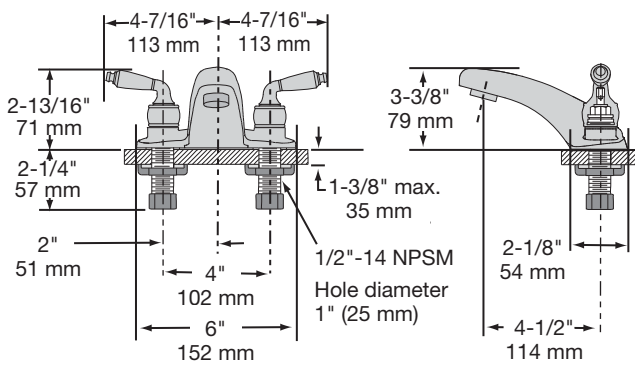
Dimensions S-240 series with LCT style handle



Dimensions S-240 series with CR style handle



Dimensions S-240 series with LTM style handle



Dimensions S-240 series with LWG style handle

