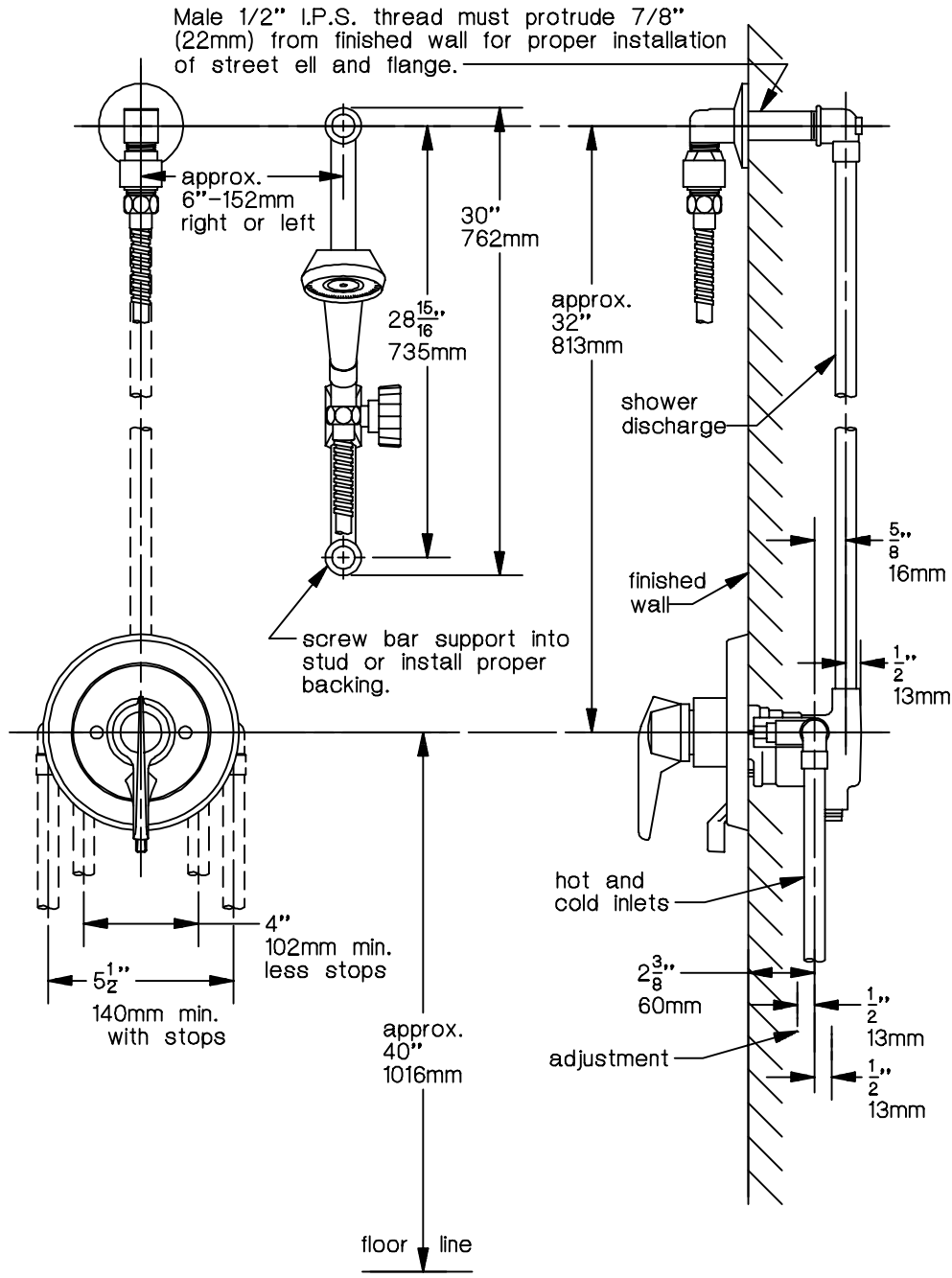


# S-96-300-B30-L-V

**Temptrol®** Pressure-Balancing mixing valve with lever handle, integral volume control and adjustable stop screw to limit handle turn. Wall/hand shower with flexible 5' metal hose, in-line vacuum breaker, wall connection and flange, 30" slide bar for hand shower mounting.

Suffix X: Integral service stops - allows water shutoff at valve for service.



This drawing to be used for rough-in installation only. All floor to center dimensions optional. Concealed piping and fittings not furnished by manufacturer. **Above dimensions are for ADA compliance (Americans with Disabilities Act).** Consult ADAAG or your state regulations for proper product choice and mounting locations. For complete installation, adjustment and service information, see installation instructions.

**Symmons®** INDUSTRIES, INC.

31 Brooks Drive, Braintree, MA 02184  
 TEL: 1-800-SYMMONS, (781) 848-2250 FAX: 1-800-961-9621, (781) 843-3849  
 Website: www.symmons.com © 1998 Symmons Industries, Inc.

**032596-D**