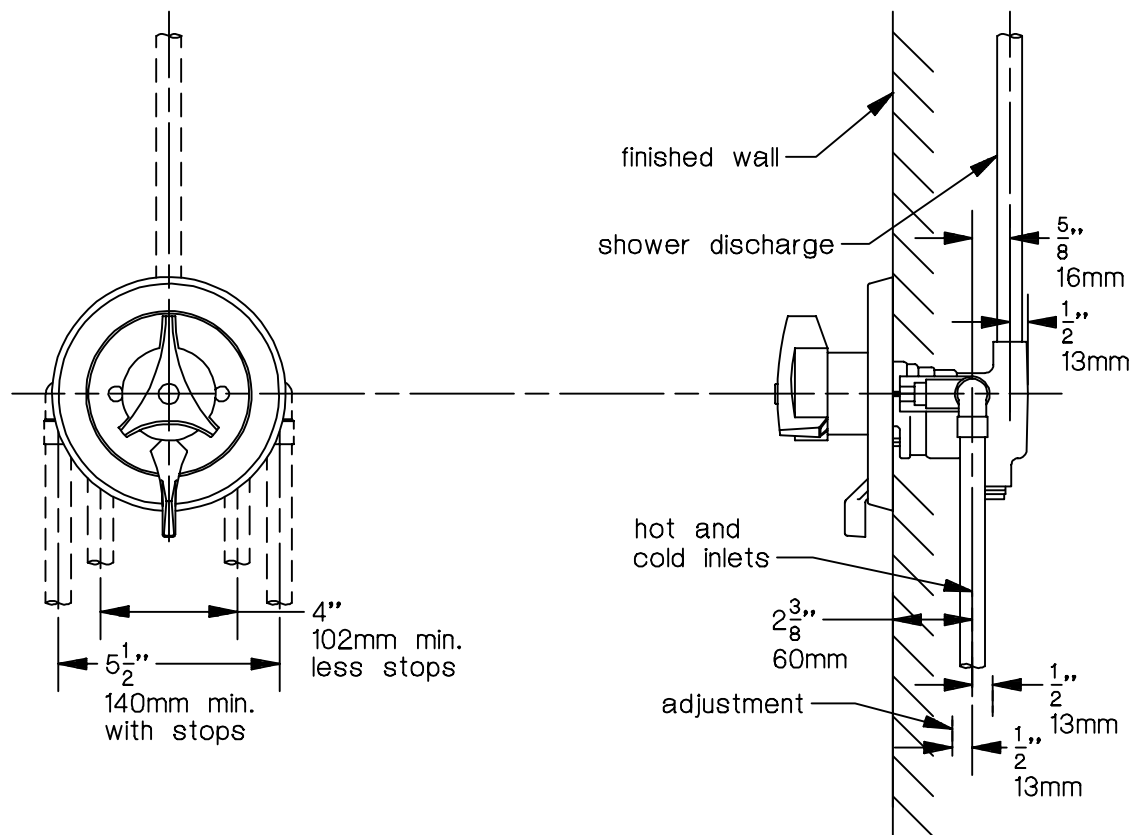


S-86-1

Temptrol® Pressure-Balancing mixing valve with integral volume control and adjustable stop screw to limit handle turn.

Suffix X: Integral service stops - allows water shutoff at valve for service.



This drawing to be used for rough-in installation only. All floor to center dimensions optional. Concealed piping and fittings not furnished by manufacturer. For ADA compliance (Americans with Disabilities Act) consult ADAAG or your state regulations for proper product choice and mounting locations. For complete installation, adjustment and service information, see installation instructions.

Symmons® INDUSTRIES, INC.

31 Brooks Drive, Braintree, MA 02184
TEL: 1-800-SYMMONS, (781) 848-2250 FAX: 1-800-961-9621, (781) 843-3849
Website: www.symmons.com ©1998 Symmons Industries, Inc.

050595-E