

SWANSTONE®

Your Strongest Choice.

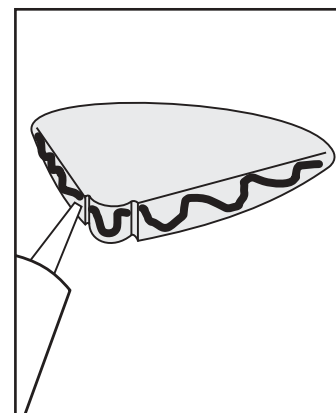
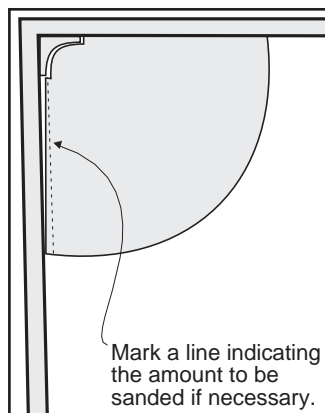
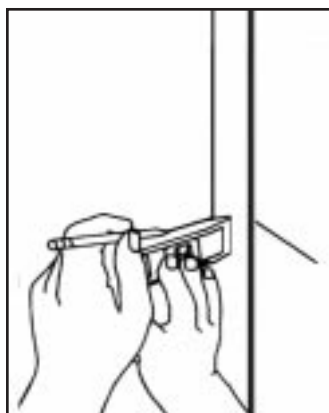
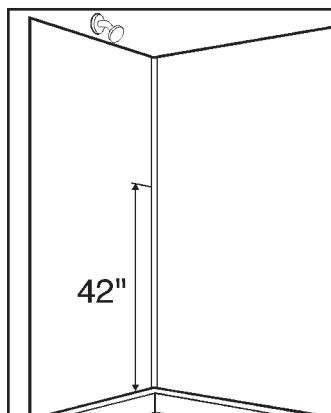
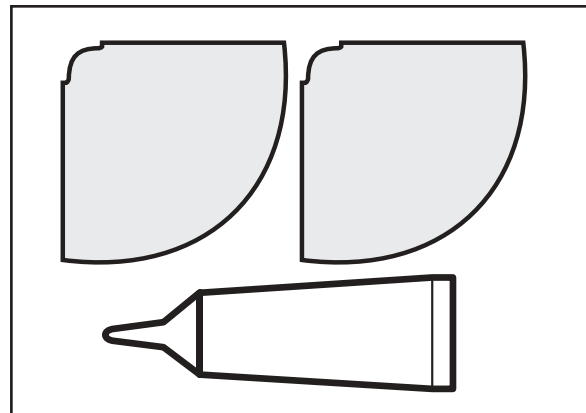
ES-2 SOAP DISHES

Model ES-2 Installation • Care and Cleaning

Included In Carton

- A Two Swanstone Soap Dishes
- B One Tube of Silicone Adhesive

NOTE: The ES-2 Soap Dish is a corner mount design and is sculpted to fit over the Swanstone Corner molding. If your installation does not include the Swanstone corner molding, you may wish to reconsider using this soap dish.



1. Select a desirable location for the mounting of the soap dish. While Swan recommends a minimum distance of 42" from the shower floor ledge to the soap dish, you may choose to stack the soap dishes in one corner or set them in opposite corners. You may also choose multiple applications or contrasting colors.

2. After settling on a location, draw a 4" level line on both walls. These lines will be used to line up the top edges of the soap dish.

Trial Fit

3. Prior to applying adhesive, set the soap dish into position. This will insure that it will fit tightly against the wall. If the wall is not exactly 90 degrees square, it will be necessary to sand one side in order to achieve proper fit. Use a course grit (60 grit) sandpaper.

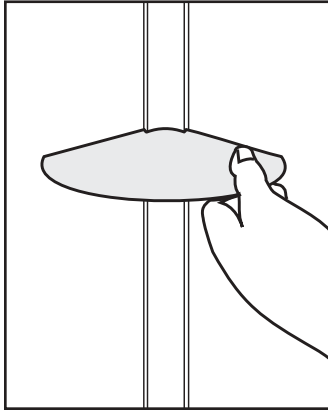
4. Apply a generous amount of adhesive to both sides and the sculpted back of the soap dish.

(continued on back)

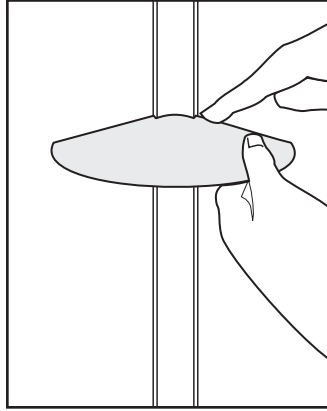
SWANSTONE®

Your Strongest Choice.

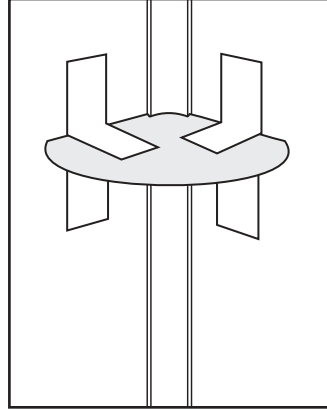
ES-2 SOAP DISHES INSTALLATION (continued)



5. Line up to the 4" level line and press into place.



6. Hold soap dish securely in place and wipe off excess adhesive. You will want a uniform bead on both top and bottom.



7. Temporarily secure with masking tape as illustrated. Remove tape after approximately two hours. Do not place anything on the soap dish for at least 24 hours.

NOTE: You may have extra color coordinated caulk left over from your Swanstone wall installation. If this is the case, you can run a bead of caulk around the soap dish installation. Do this after the adhesive has dried.

Day-To-Day Cleanup

Like all Swanstone material, use normal household detergents and cleansers. Just wiping the surface removes water marks and residues. Occasional scrubbing with household abrasive cleaners insures that the original luster is maintained, similar to tile and other permanent bath fixture materials.