

Veritek®
Natural Gloss
Composite

Bathtub

Installation,
Care and Cleaning,
Parts

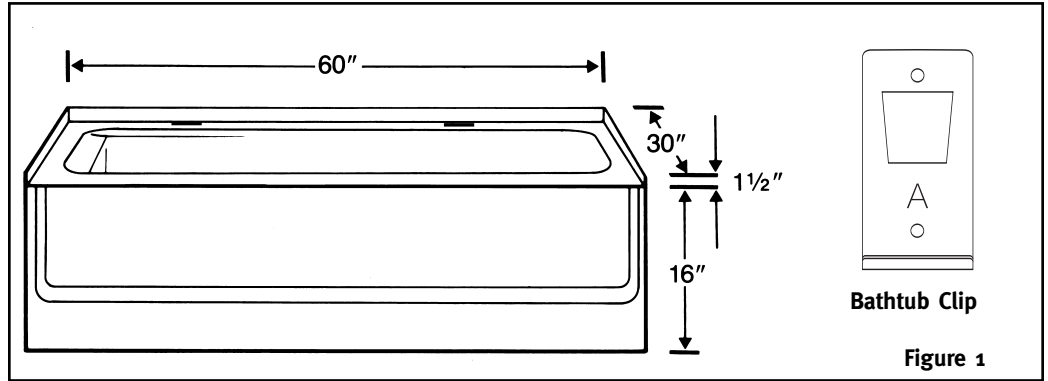
Model No.'s

BT-3060 R right side drain

BT-3060 L left side drain

Owners Manual

Step-By-Step
Installation
Instructions



Caution:

Read ALL instructions carefully BEFORE starting your installation.

Save this manual for future reference.

Included In Carton

One Natural Gloss Composite Bathtub
Six Bathtub Clips

Tools Required To Install

Hammer
Ruler
Level
Roofing Nails (Large Head)

LIMITED **Lifetime**
WARRANTY

This bathtub may be installed over any surface during any stage of construction. When installing unit into a stud pocket, the unit should be set into place prior to wall finishing.

If this unit is to be installed against a masonry wall, the tub must be secured to furring strips or other anchoring materials.

Preparation

Before you begin, remove the bathtub from the protective carton and inspect for damage. Also, check to insure all installation materials are included in package.

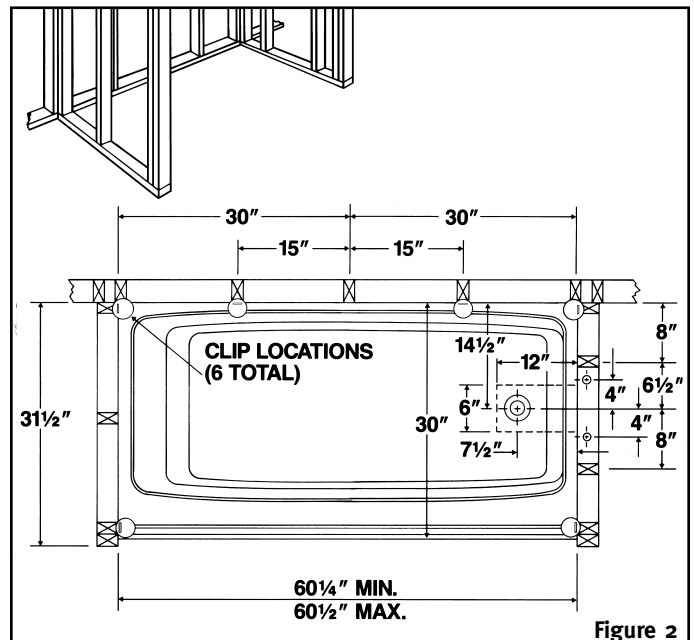
Important:

Upon removal of the bathtub from the carton and to help eliminate damage to the unit during installation, DO NOT REMOVE the plastic liner/protector from the tub.

Proper installation requires that the bathtub be nested into a bed of mortar-type material (Quikrete). Improper installation will void the warranty.

Stud Pocket Construction

For new construction installation, build a stud pocket to the dimensions of Figure #2. Using either wood or structural steel studding, be sure that all framing is plumb and square.



For Remodeling

Upon removal of old bathtub, measure alcove pocket to be sure that the new bathtub will fit in the available space. See

figure #2 for dimensions. It may be necessary to reconstruct one wall of the alcove pocket per figure #2 floor plan.

Bathtub

Plumbing

All supply lines to valves, tub spout, and shower riser must be located prior to bathtub installation. Install these items, as well as waste and overflow, in accordance with the manufacturer's installation instructions. This bathtub accepts a standard 16" adjustable drain and overflow fitting. See figure #3 for dimensions.

For remodeling, removal of a portion of the subfloor may be necessary. Replace subfloor prior to bathtub installation.

Important:

NEVER install bathtub over open floor joists. Shower floor must be installed on solid, level subfloor.

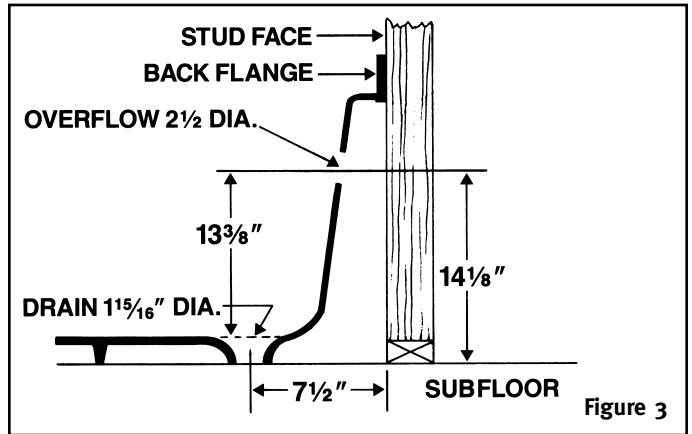


Figure 3

Drywall

If bathtub is to be installed over drywall, the following procedures must be followed. For 1/2" drywall use the dimensions for the stud pocket from Figure 2 and install drywall as shown in Figure 4.

For double drywall installation (based on two sheets of 1/2" drywall) use the dimensions for the stud pocket from Figure 6 and install drywall as shown in Figure 5.

Important:

Bathtub clips must be installed on bathtub prior to bathtub being inserted into stud pocket.

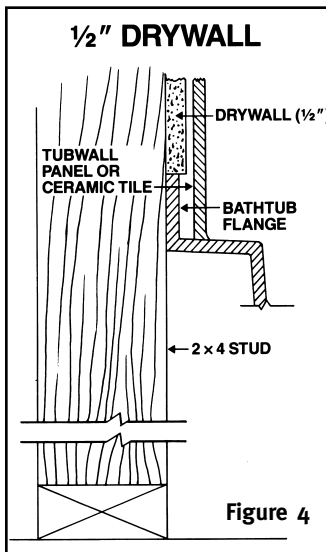


Figure 4

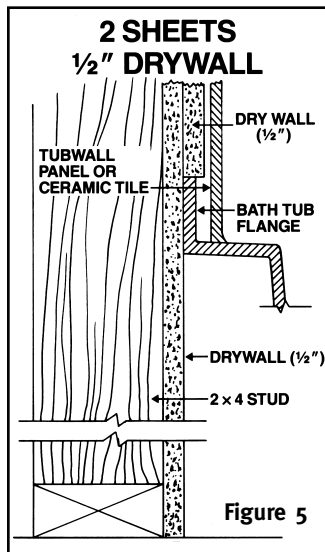


Figure 5

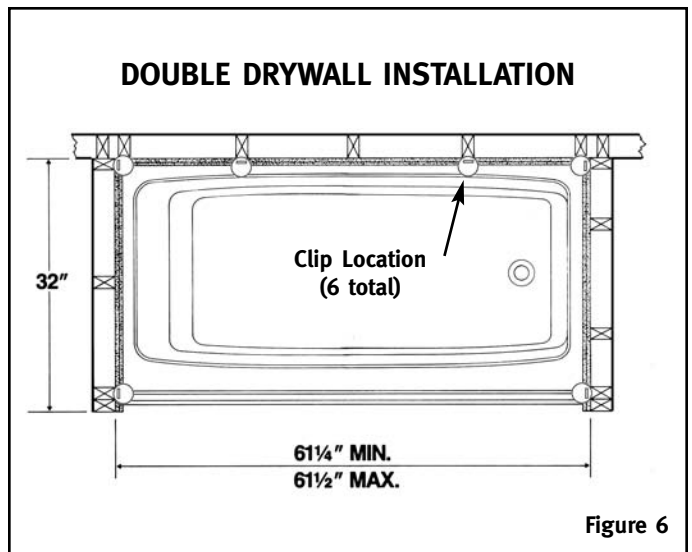


Figure 6

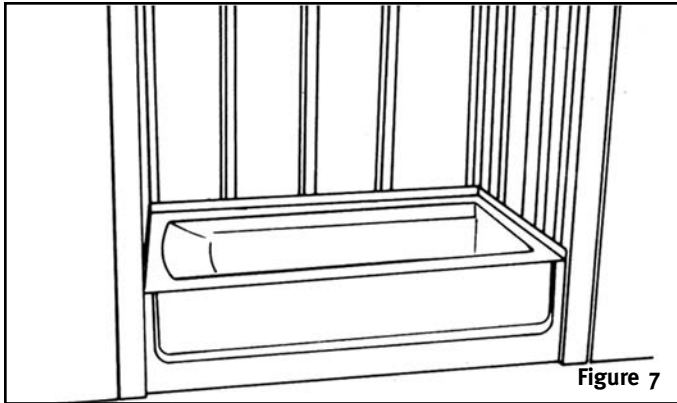


Figure 7

Trial Fit Bathtub

Make sure bathtub is level and all feet on the bathtub are making firm contact with the subfloor. It may be necessary to shim under bathtub for best overall subfloor contact. (See special application for sound deadening or fire proofing purposes).

Proper installation requires that the bathtub be nested into a bed of mortar-type material (Quikrete). Improper installation will void the warranty.

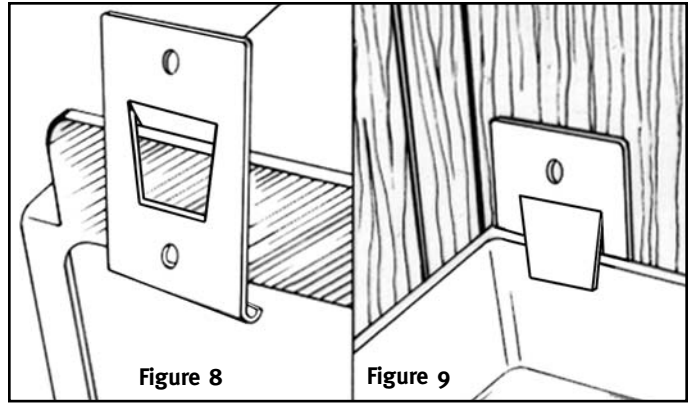


Figure 8

Figure 9

Bathtub Clip Installation

Snap the six bathtub clips onto the 1/2" bathtub flange (Figure 8). The clips are designed to slide on the bathtub flange to easily locate studs. (Figure 9). See Figure 6 for proper bathtub clip location.

Important:

Bathtub clips must be installed on bathtub prior to bathtub being inserted into stud pocket.

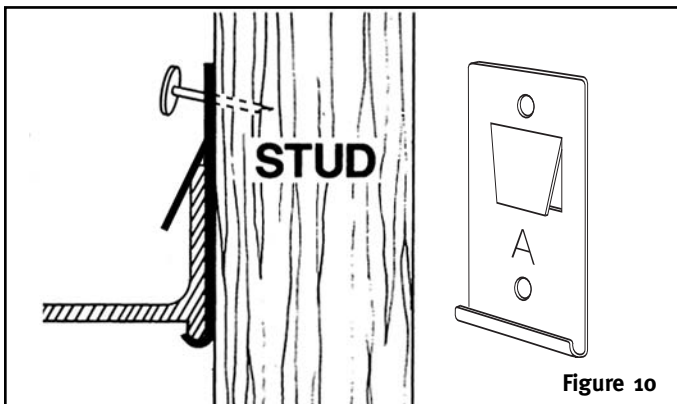


Figure 10

Final Fit Bathtub

Secure bathtub to studs by attaching with large head roofing nails through tub clip holes (one nail per clip). (Figure 10).

Water Testing

Before water testing bathtub, remove all material from bathtub including the plastic liner/protector.

To Clean Immediately After Installation

Remove all debris from bathtub surface. If possible, fill bathtub with warm water and mild detergent. After draining unit, use a non-abrasive multi-purpose cleaner.

To remove especially tough residue or stains, use Acetone, Xylene, Toluene, Mineral Spirits or Methyl Ethyl Ketone (MEK). Insure adequate ventilation and follow label instructions. Solvents are highly flammable.

To remove adhesive or glue, use products containing Xylene or Toluene.

Regular Care & Cleaning

This bathtub is made of Natural Gloss Composite reinforced polyester. Finish is stain and abrasion resistant; however the finish requires reasonable care.

Wash regularly with warm water; use soft cloth with mild liquid detergent such as Top Job, Ajax Liquid Cleaner, Mr. Clean All Purpose Cleaner, or Glass Plus.

Remove hard water stains or mineral build-up with scale removers such as Lime-A-Way.

Never use abrasive scouring powders, cleaners, or pads. They will dull the finish.

Protect finish with any fiberglass wax or automotive paste wax.

Bathtub

Special Application For Sound Deadening or Fireproofing

If bathtub must be elevated above subfloor for sound deadening or fireproofing, excluding above the floor rough in, the following procedures must be used:

Snap bathtub clips on bathtub and locate as noted in Figure 2.

Install waste overflow on bathtub depending on plumbing conditions and manufacturer's waste recommendation. See Figure 3 for dimensions.

Measure and locate the 1 x 4's or 2 x 4's as noted in Figure 11, making sure there is full contact with the subfloor and the feet on the bottom of the bathtub.

Install bathtub in stud pocket making sure bathtub is level and that feet on bathtub are making firm contact with 1 x 4's or 2 x 4's. If shimming is necessary, shim between 1 x 4's or 2 x 4's and existing subfloor.

Secure bathtub to studs by attaching with large head roofing nails through bathtub clip holes (one nail per clip). (Figure 10).

Depending upon drywall application, the stud pocket should be framed out accordingly. (See Figure 2 or Figure 7).

Before water testing bathtub, remove all material from bathtub including the plastic liner from the bottom and front apron of the bathtub.

The bathtub is now ready for a slurry of fast drying cement

(Quikrete or other product). This material must be poured under the bathtub to fill the areas between the 1 x 4's or 2 x 4's and the area between the

floor and the bathtub. This will insure complete support of the bathtub.

Important:

This product is not designed for above the floor mounting. Any application of this type or application other than that covered in this manual, will void the warranty.

Bottom View
(Rib Location)

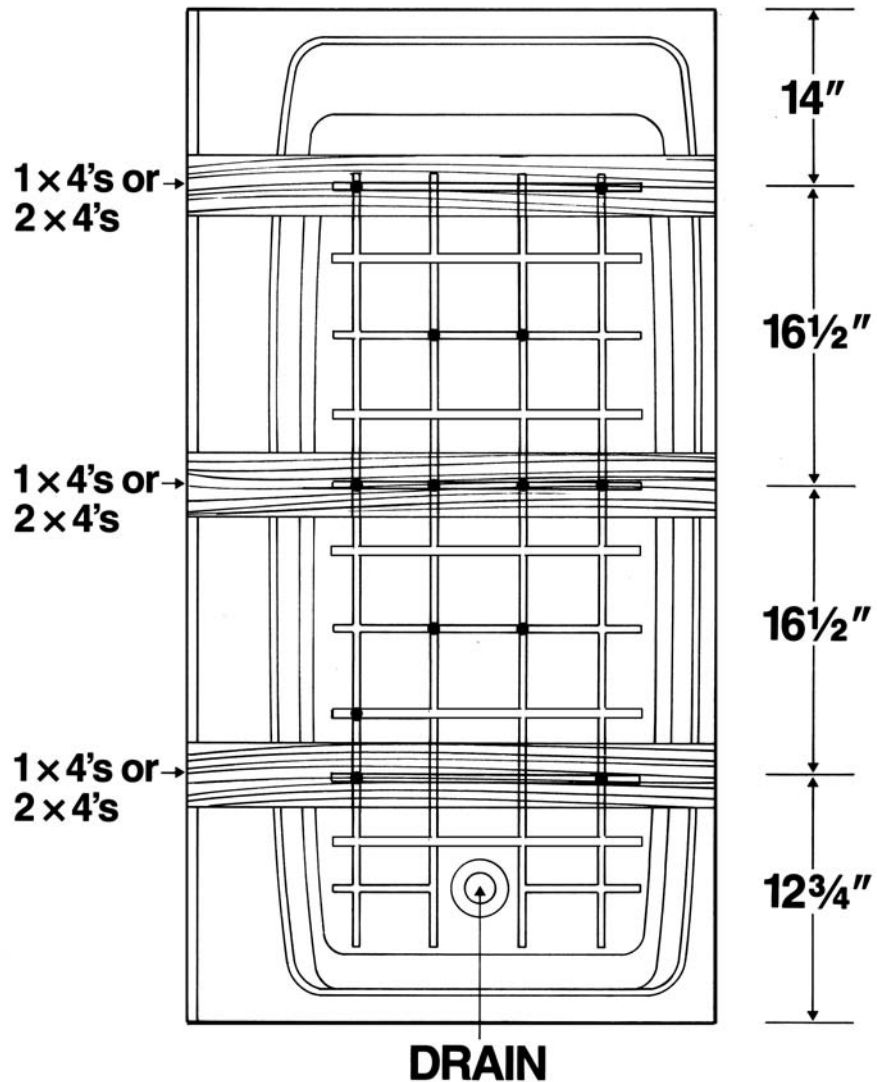


Figure 11