

**Features:**

- 20 1/4" x 28 1/2" x 29" H
- 12" rough-in
- 1.6 gpf (6.0 lpf)
- Ultra low flush
- Vitreous China
- Close-coupled tank with trim.
- **Flushmate III pressure assisted flushing system**
- Includes Sureseal™ tank-to-bowl attaching kit, chrome plated tank lever, and bolt caps.
- *Seat not included.*
- 2 1/4" trap passes a 2" ball
- Easy installation

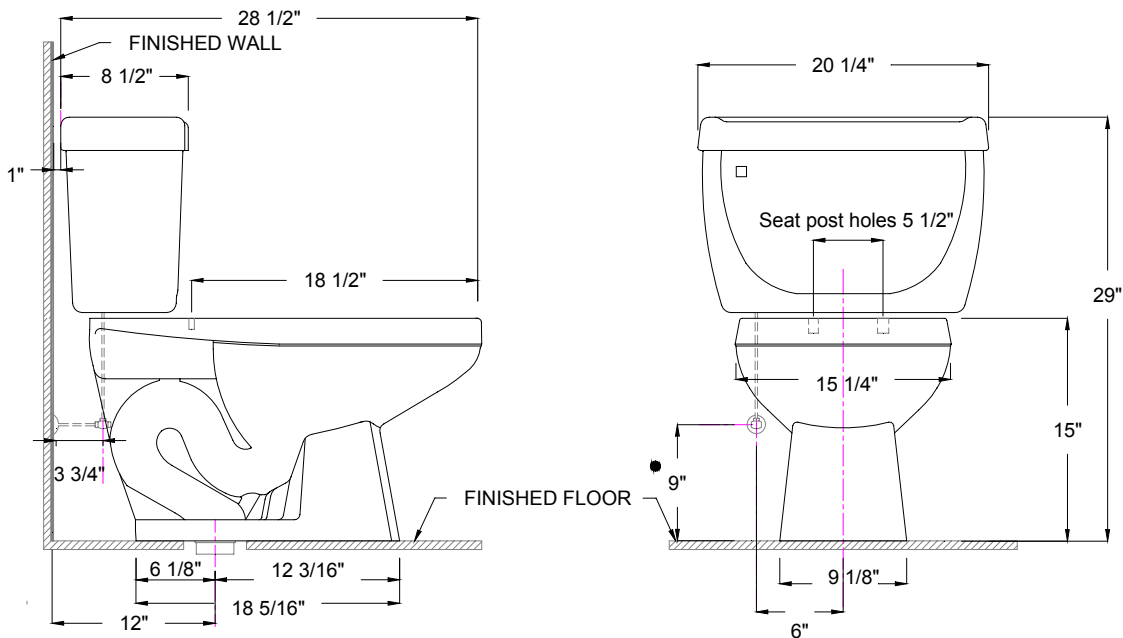


**Component Parts:**

- 6203.023** - Elongated bowl
- 6203.024** - Tank complete with all fittings, left hand tank lever and lid.
- 6203.034** - Tank complete with all fittings, right hand tank lever and lid.
- 6201.025** - Tank lid only
- 9400.300.96** - Polished chrome tank lever assembly.

**Colors:**

- .01 White



Fixture dimensions meet ANSI/ASME standards A112.19.2M, A112.196M and CAN/CSA B requirements. These measurements are subject to change or cancellation. No responsibility will be assumed for use of superseded or voided pages. Dimensions shown for location of supply are suggested.

**Listing / Approvals:**

- IAPMO/UPC
- States of New York, Massachusetts and Texas
- **ISO 9002 CERTIFIED**

