

Features:

- Vitreous china
- Self-rimming
- Faucet holes on 4" or 8" centers
- Complete with installation template.
- Concealed front overflow and rear drain
- Spacious round basin

Models Available:

- 1204.040 – Faucet holes on 4"
- 1204.080 – Faucet holes on 8"

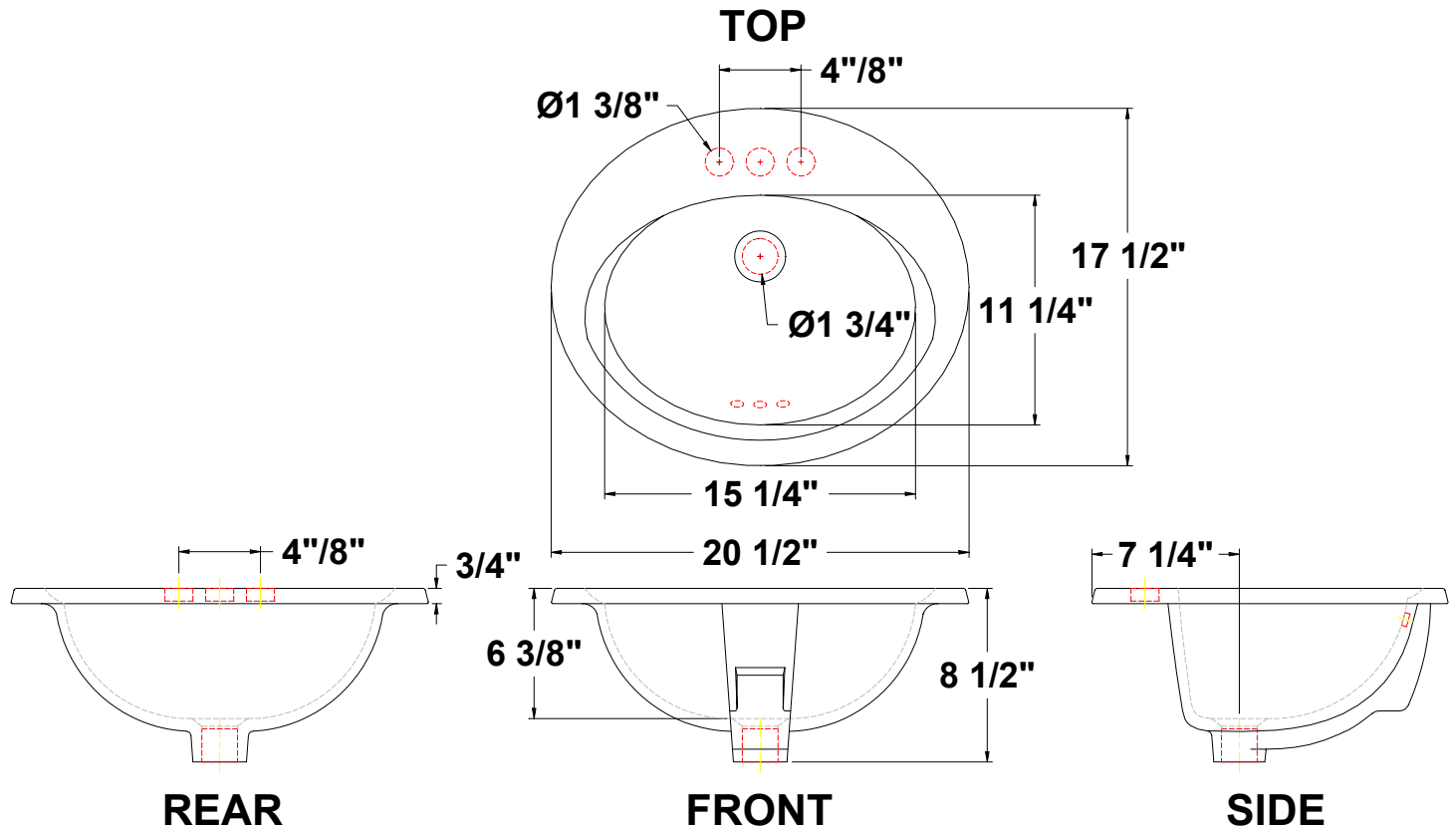
Colors:

- .01 White
- .02 Bone
- .06 Balsa



Fixture Information

Drain Outlet	1 3/4" O.D.
Overall Dimensions	20 1/2" x 17 1/2"
Basin Dimensions	15 1/4" x 11 1/4"
Material	Vitreous China
Shipping Weight	36 lbs.



Fixture dimensions meet ANSI/ASME standards A112.19.2M, A112.19.6M requirements. These measurements are subject to change or cancellation. No responsibility will be assumed for use of superseded or voided pages. • Dimensions shown for location of supply are suggested.

Listing / Approvals:

- IAPMO/UPC
- States of New York, Massachusetts and Texas.
- ISO 9002 CERTIFIED

