

Granada? Wall-mount Wrought Iron Stand with St. Martin II Lavatory
16 1/2" x 19 3/4" x 12 3/4"

Round vitreous china lavatory with wrought iron fixture, complete with mounting hardware.

- ?? Unique classic design
- ?? Easy installation

Components:

- ?? 1044.000 – St. Martin II above counter lavatory
- ?? 1044.461 - Granada wall-mount wrought iron stand

Fixture Information

Drain outlet	1 3/4" O.D.
Overall dimensions	19 3/4" x 16 1/2"
Basin dimensions	15" Diameter
Material	Vitreous china / Wrought Iron



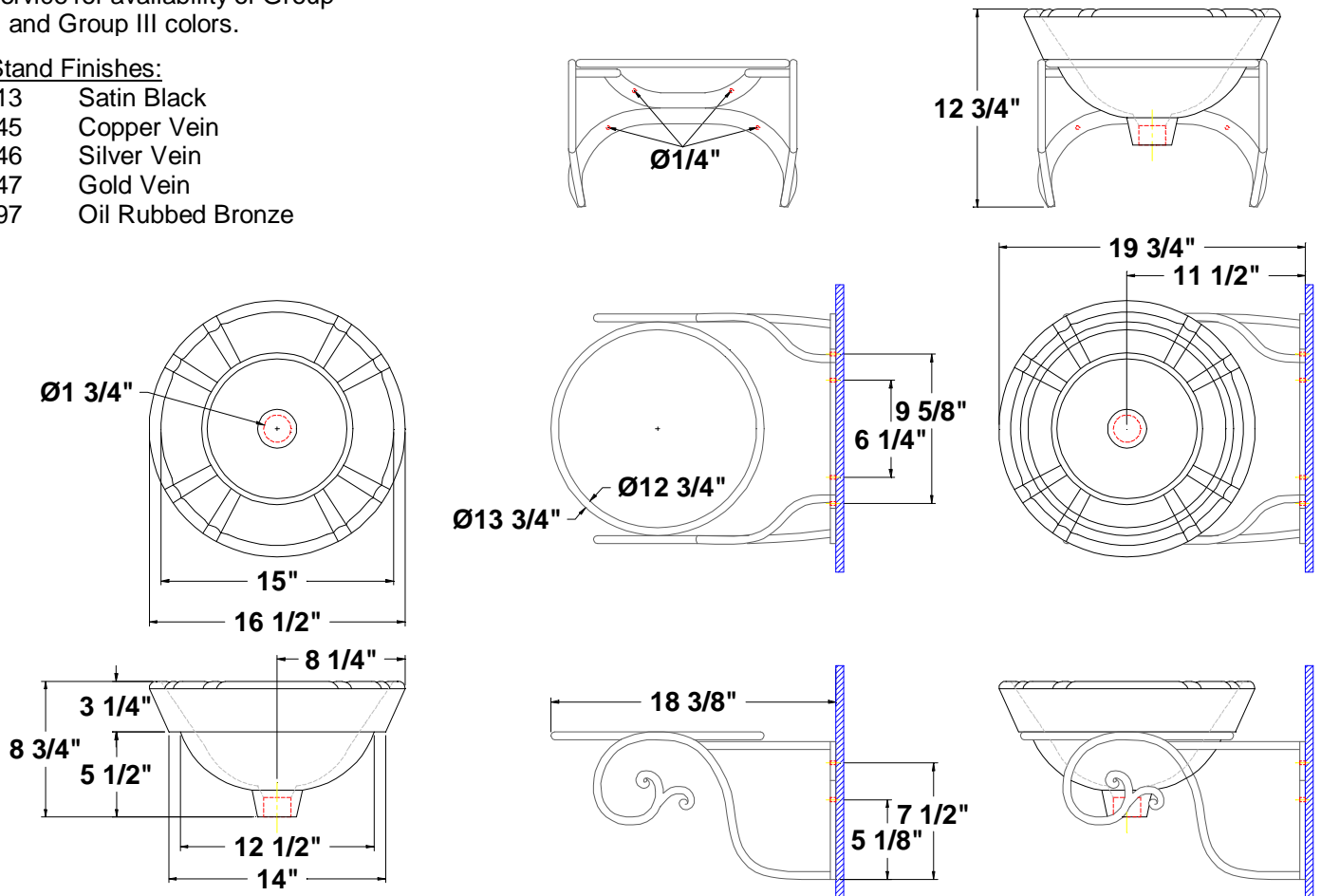
Lavatory Colors:

- .01 White
- .02 Bone
- .06 Balsa

* Please contact customer service for availability of Group II and Group III colors.

Stand Finishes:

- .13 Satin Black
- .45 Copper Vein
- .46 Silver Vein
- .47 Gold Vein
- .97 Oil Rubbed Bronze



Fixture dimensions meet ANSI/ASME standard A12.19.2M and CAN/CSA requirements. These measurements are subject to change or cancellation. No responsibility will be assumed for use of superseded or voided pages.