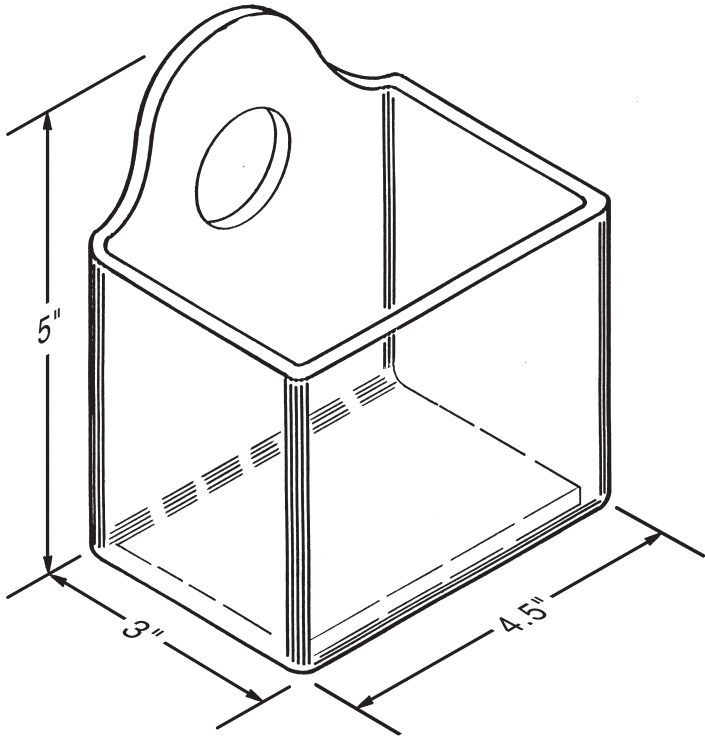




STEAMBATH

Accessory - Model SM-950 Steam Diffuser



Product Information:

Material: Lucite Acrylic

Dimensions: 5"H x 4.5"W x 3"D

Installation Notes:

- Mounts on steam outlet pipe

Rough-In notes:

Steam pipe should protrude .75" from finished surface

Steamhead to be mounted 18" above floor or 6" above rim of tub and as far from the seating area as possible.

Application Information:

Strongly recommended in small shower enclosures such as 3'x 3' or 3' x 4' where the bather can be in close proximity to the steam outlet. Also recommended for any size Acrylic shower.

Product No. - Finishes

002-2014 – Clear