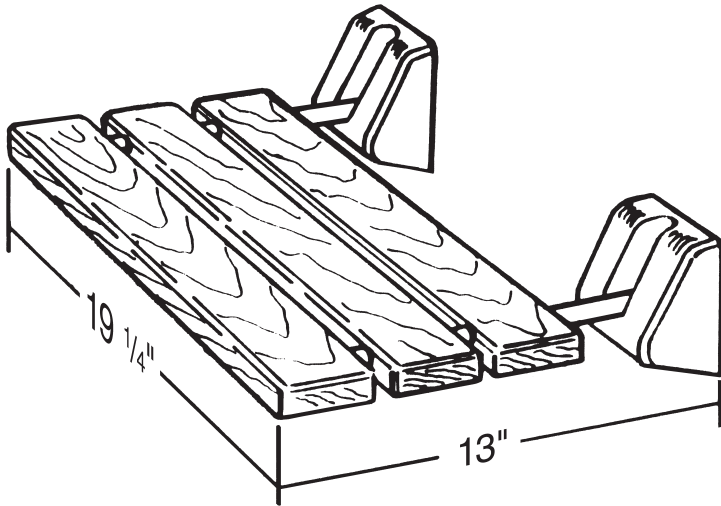


STEAMIST®

STEAMBATH

Accessory - Model SBS-101 Tilt-Up Bath Seat



Product Information:

Material: Iroko Wood with Brass tubular support arms

Dimensions: 19.25"W x 13"D

Weight capacity: 250 lbs.

Package Includes: (1) Seat Assembly, (6) Flat-head Screws, (6) plastic anchors, (2) Wall Brackets, (2) Bracket Covers, (2) Mounting Pins, (4) Pin Caps

Installation Notes:

- Mounts on 16" center studs, 16" on header or Masonary, Brick or Block wall
- Mounting brackets must be anchored to a solid structure.

Rough-In notes:

Wall Brackets to be mounted 17" – 21" from finished floor to center of upper mounting screw holes.

Product No. - Finishes

9101 – Polished Chrome

9102 – White

9103 – Polished Brass

9104 – Brushed Nickel