

SPEAKMAN COMPANY

VS-82620 Installation, Maintenance & Operation Instructions

ANYSTREAM® SHOWERHEAD

DESCRIPTION

Polished chrome plated ANYSTREAM Euro hand held shower. Includes five-foot long, stainless steel hose and swivel ball bracket for shower arm mounting. Spray adjusting, 4" outer ring. 6 Lexan plungers resist scale build-up and provide 48 spray streams for a full body coverage pattern. Center core nozzle delivers nine massage jets. Combination spray included. Water conserving pressure compensating AUTOFLO® device reduces flow to 2.5 GPM/9.46LPM maximum, to meet existing ANSI A112.18.1M Standard. ½" NPSM inlet.

SPECIFICATIONS

SUPPLY INLET: ½" NPSM
 FLOW RATE: 2.5 GPM/9.46LPM MAXIMUM
 FLOW CONTROL: VARIABLE
 SHIPPING WEIGHT: 1.43 LBS.

OPTIONS

◇ WHT - White Finish	◇ PB— Polish Brass Finish
◇ BN – Brushed Nickel Finish	

INSTALLATION

Screw the swivel arm bracket onto the outlet shower arm. Screw the vacuum breaker onto the threaded connection on the swivel arm bracket. Install rubber washers in the ends of the hose. Turning in a clockwise direction, thread the hose swivel onto the threaded end of the vacuum breaker and the other hose end onto the hand held shower. Hand tighten firmly all connections. Turn the water supply on and check for leaks.

OPERATION

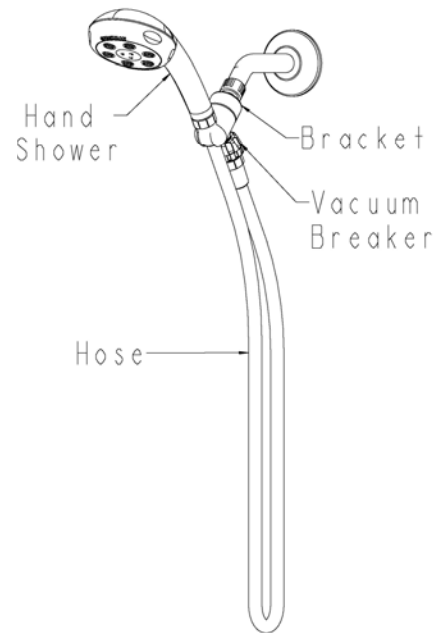
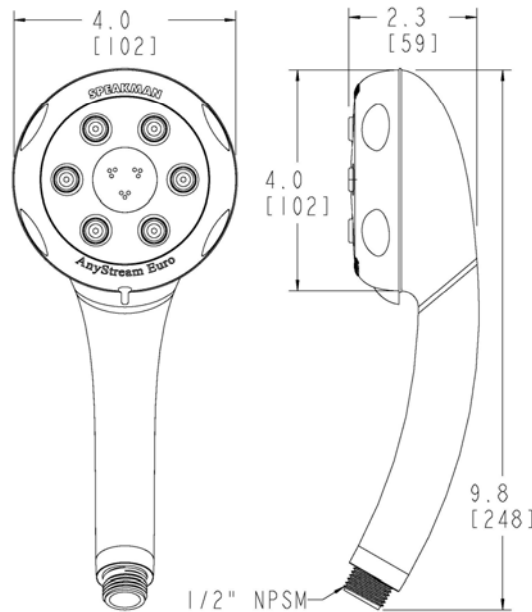
To adjust the spray pattern of the shower head, simply rotate the outer ring to the desired spray (needle spray, gentle rain or center massage).

MAINTENANCE

The gleaming finish of your SPEAKMAN ANYSTREAM® hand shower can be cleaned by using mild soap and warm water. Dry immediately with a soft, clean cloth for best results. The flow control device limits water flow to 2.5 gallons per minute. The small orifices may become clogged with scale and other minerals found in potable water. To clean the flow regulator, simply remove the shower arm mount from the bent arm, pull out the rubber washer from the ball, dislodge the flow regulator and clean as necessary.

Product improvements may cause specification and dimensional changes without notice.

ROUGH-IN MEASUREMENTS



Note: Accessories shown.

SPEAKMAN®

PO Box 191 Wilmington, DE 19899 Phone: 800-537-2107 Fax: 800-977-2747
 Visit us on the web at www.speakmancompany.com

4/07
 92-2788
 Rev. 2