

SPEAKMAN COMPANY

S-2271-AF Installation, Maintenance & Operation Instructions

COSMOPOLITAN® SHOWERHEAD

DESCRIPTION

Polished chrome plated COSMOPOLITAN showerhead. Adjustable ball joint. Chrome plated shank. 2" fully adjustable black spray face. Flow control device reduces flow to 2.5 GPM/9.46LPM maximum, to meet existing ANSI A112.18.1M Standard. 1/2" NPSM inlet with sealing washer.

SPECIFICATIONS

SUPPLY INLET: 1/2" NPSM
FLOW RATE: 2.5 GPM/9.46LPM MAXIMUM
FLOW CONTROL: FIXED
SHIPPING WEIGHT: 0.16 LBS.

INSTALLATION

Apply pipe thread tape in a clockwise direction to threads of shower arm. Pipe joint compound may be used instead of tape. Turning in a clockwise direction, thread the shower head on to the shower arm. Tighten with a pipe wrench or a pair of pliers. Turn the water supply on and check for leaks.

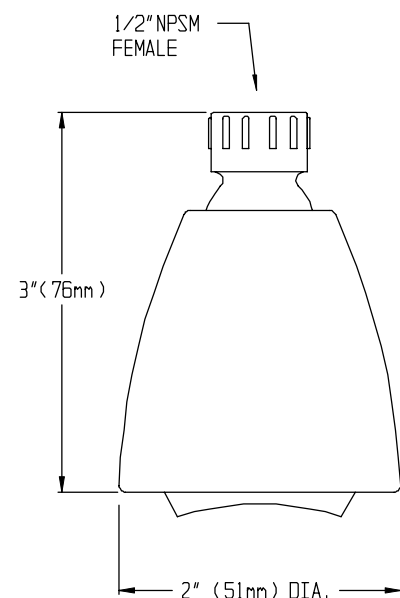
OPERATION

To adjust the spray pattern of the shower head, simply rotate the spray face to the desired spray.

MAINTENANCE

The gleaming finish of your SPEAKMAN COSMOPOLITAN® showerhead can be cleaned by using mild soap and warm water. Dry immediately with a soft, clean cloth for best results. The flow control device limits water flow to 2.5 gallons per minute. The small orifice may become clogged with scale and other minerals found in potable water. To clean the flow control, simply remove the shower head from the bent arm, unscrew the flow control and clean as necessary.

ROUGH-IN MEASUREMENTS



Product improvements may cause specification and dimensional changes without notice.