

SPEAKMAN COMPANY

S-2220-AF Installation, Maintenance & Operation Instructions

ADJUSTA-SPRAY® SHOWERHEAD

DESCRIPTION

Polished chrome plated ADJUSTA-SPRAY showerhead. Brass ball swivel joint. Chrome plated shank. Spray adjusting T-handle. 2-1/4" face. 40 spray slots at various angles for complete coverage. Water conserving pressure compensating AUTOFLO® device reduces flow to 2.5 GPM/9.46LPM maximum, to meet existing ANSI A112.18.1M Standard. 1/2" NPTF inlet.

SPECIFICATIONS

SUPPLY INLET: 1/2" NPTF
 FLOW RATE: 2.5 GPM/9.46LPM MAXIMUM
 FLOW CONTROL: VARIABLE
 SHIPPING WEIGHT: 0.38 LBS.

OPTIONS

◇ BPT-British Pipe Thread	
---------------------------	--

INSTALLATION

Apply pipe thread tape in a clockwise direction to threads of shower arm. Pipe joint compound may be used instead of tape. Turning in a clockwise direction, thread the shower head on to the shower arm. Tighten with a pipe wrench or a pair of pliers. Position the shower head by rotating it clockwise. Make sure the ball joint coupling nut is properly tightened. Turn the water supply on and check for leaks.

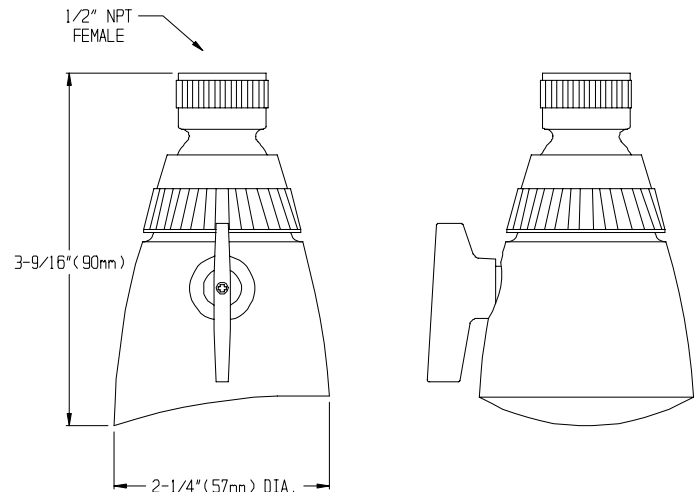
OPERATION

To adjust the spray pattern of the shower head, simply rotate the handle to the desired spray.

MAINTENANCE

The gleaming finish of your SPEAKMAN ADJUSTA-SPRAY® showerhead can be cleaned by using mild soap and warm water. Dry immediately with a soft, clean cloth for best results. The flow control device limits water flow to 2.5 gallons per minute. The small orifices may become clogged with scale and other minerals found in potable water. To clean the flow regulator, simply remove the shower head from the bent arm, pull out the locking tab from the ball, dislodge the flow regulator and clean as necessary.

ROUGH-IN MEASUREMENTS



Product improvements may cause specification and dimensional changes without notice.