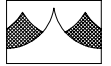


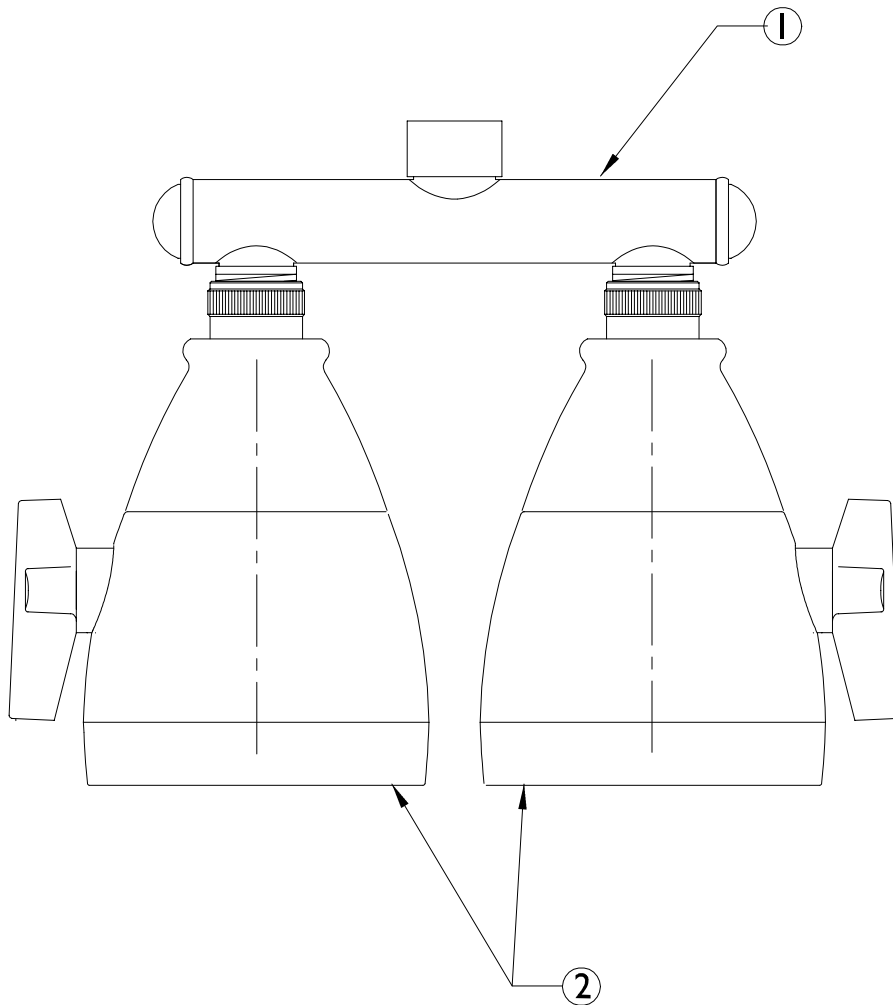
REPAIR PARTS LISTING FOR DUAL HOTEL SHOWER HEAD



S-2222

<u>ITEM NO.</u>	<u>PART OR GROUP NO.</u>	<u>DESCRIPTION</u>
1	05-21 57-PC	DUAL SHOWERHEAD MANIFOLD
2	S-2000-HOTEL	SHOWERHEAD*

* SEE SEPARATE REPAIR PARTS SHEET



SPEAKMAN[®]
PO Box 191 Wilmington, DE 19899
Phone: 800-537-2107 Fax: 800-977-2747
www.speakmancompany.com

07/03
Rev I
92-2111