

# **SPEAKMAN COMPANY**

## **S-2252-1776 Installation, Maintenance & Operation Instructions ANYSTREAM® SHOWERHEAD**

### **DESCRIPTION**

Rough nickel plated ANYSTREAM Liberty Bell showerhead. Brass ball swivel joint. Brass shank. Spray adjusting handle. 2-3/4" face. 6 Lexan deposit resisting plungers with 48 spray channels. Water conserving pressure compensating AUTOFLO® device reduces flow to 2.5 GPM/9.46LPM maximum, to meet existing ANSI A112.18.1M Standard. 1/2" NPTF inlet.

### **SPECIFICATIONS**

SUPPLY INLET: 1/2" NPTF  
FLOW RATE: 2.5 GPM / 9.46LPM MAXIMUM  
FLOW CONTROL: VARIABLE  
SHIPPING WEIGHT: 2.5 LBS.

### **INSTALLATION**

Apply pipe thread tape in a clockwise direction to threads of shower arm. Pipe joint compound may be used instead of tape. Turning in a clockwise direction, thread the shower head on to the shower arm. Tighten with a pipe wrench or a pair of pliers. Position the shower head by rotating it clockwise. Make sure the ball joint coupling nut is properly tightened. Turn the water supply on and check for leaks.

### **OPERATION**

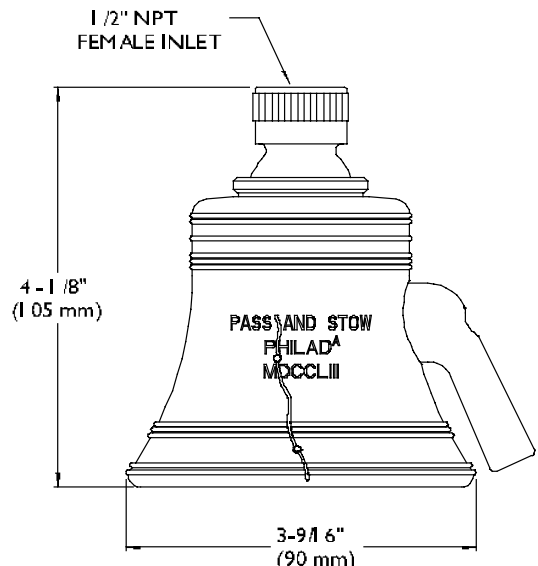
To adjust the spray pattern of the shower head, simply rotate the handle to the desired spray (needle spray, gentle rain or full flood).

### **MAINTENANCE**

The gleaming finish of your SPEAKMAN ANYSTREAM® showerhead can be cleaned by using mild soap and warm water. Dry immediately with a soft, clean cloth for best results. The flow control device limits water flow to 2.5 gallons per minute. The small orifices may become clogged

### **ROUGH-IN MEASUREMENTS**

Product improvements may cause specification and dimensional changes without notice.



**SPEAKMAN®**

PO Box 191 Wilmington, DE 19899 Phone: 800-537-2107 Fax: 800-977-2747  
Visit us on the web at [www.speakmancompany.com](http://www.speakmancompany.com)

01/03  
92-2390