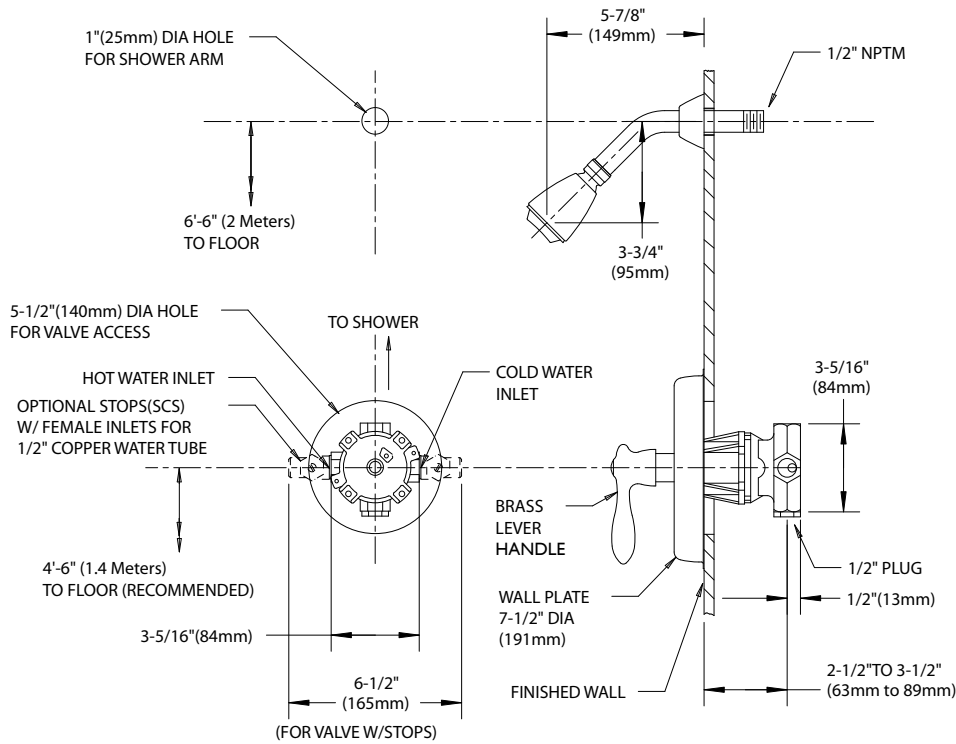


ROUGH-INS

SM-3010



NOTE: Unless otherwise specified, all inlets and outlets are 1/2" NPTF. Unless otherwise specified, all dimensions are in inches and are subject to change without notice. For ADA mounting locations consult ADAAG, ANSI A117.1, or state regulations.