

# SPEAKMAN GRAVITYFLO® PORTABLE EYE/FACE WASH SE-4500 WITH WATER HEATING UNIT

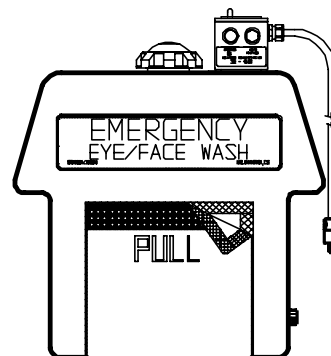


## OWNERS' MANUAL AND INSTALLATION INSTRUCTIONS

KEEP THIS MANUAL WITH EMERGENCY FIXTURE

### CONTENTS:

- I. Introduction
- II. Product Dimensions
- III. Installation
- IV. Operation in Emergency Situation
- V. Periodic Cleaning & Maintenance
- VI. Replacement Parts



Meets ANSI Z358.1-1998 for portable eyewash units and  
ANSI A117.1-1986 for barrier-free design.  
CSA/UL approvals.



**SPEAKMAN®**

PO Box 191 Wilmington, DE 19899 Phone: 800-537-2107 Fax: 800-977-2747  
Visit us on the web at [www.speakmancompany.com](http://www.speakmancompany.com)

92-1622  
6/18/98

---

## I. PRODUCT OVERVIEW

Speakman HEATED GRAVITYFLO Eye/Face Wash is an engineering triumph. Ergonomically designed and barrier-free, the GRAVITYFLO reservoir body is one-piece molded from light, durable, high-density polyethylene. Its bright blue color provides high visibility during an emergency. Unique, high efficiency spray heads of contoured rubber give thorough eye and face coverage. The quick opening, reliable valve is representative of Speakman's commitment to excellence. The graceful design incorporates an easy-carry molded-in handle grip.

The unit is supplied with a 1450 W/120VAC submersible heater, and can maintain a constant temperature of 75°F inside the tank even when ambient temperatures go down to -20°F.

The heater has a green and a red light on the front panel. The green light ON indicates the unit is plugged in (there is no on-off switch). The red light ON indicates the tank has a low solution level and must be refilled. After filling the tank, press the reset switch to activate the heater and turn the red light off.

The unit is provided with an insulating jacket that covers the bottom and the front of the tank protecting the hose, valve, and the spray outlets from dust and freezing.

All these features make the HEATED GRAVITYFLO ideally suitable for use in a variety of heated or unheated work areas. These include industrial plants, laboratories, warehouses, construction sites or any other sites without a potable or permanent plumbed-in water source.

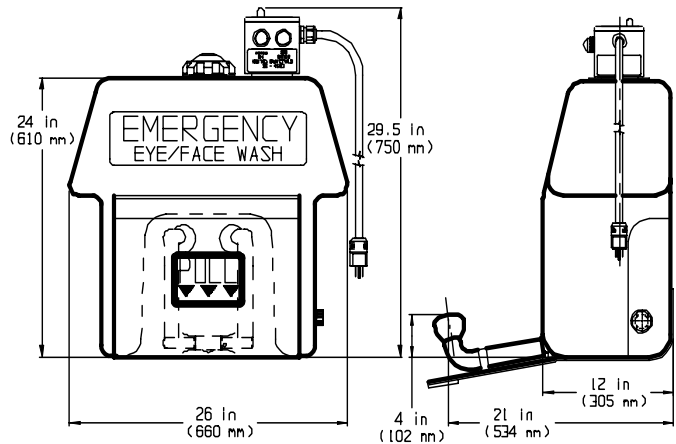
GRAVITYFLO can also be used as a temporary back-up device for plumbed-in stations that are temporarily out of service. Additionally, this unit can be used for first aid while in transit to a hospital during emergency situations.

Speakman's HEATED GRAVITYFLO Eye/Face Wash is designed to exceed the ANSI recommended flow for portable eyewash. Model SE-4500 makes emergency protection instantly available when required.

**CAUTION: This Eye/Face Wash container should only be used with Speakman SE-4220 EYESAVER Saline Solution, potable water or eyewash solutions intended for portable units.**

---

## II. PRODUCT DIMENSIONS AND REQUIREMENTS



**Heater:** 120VAC/20AMPS; 1450 W; continuous duty.

**Tank Capacity:** 16 - 21 (US) gallons potable water. Meets ANSI Z358.1-1998 for portable eye wash units.

Meets ANSI A117.1-1986 providing accessibility and usability for physically challenged people.

All dimensions  $\pm 1/4"$ , and subject to change without notice.

Meets CSA/UL electrical safety standards.



**CAUTION: 120VAC/20AMPS POWER SUPPLY OUTLET SHOULD BE INSTALLED AND APPROVED BY A QUALIFIED ELECTRICIAN TO THE APPROPRIATE ELECTRICAL CODE.**

The tank should be filled with Speakman SE-4220 EYESAVER Saline Solution and/or water at all times, otherwise the heater will not work and the red light will come on.

---

## III. INSTALLATION

***READ THIS SECTION COMPLETELY BEFORE INSTALLING PRODUCT.***

The following is a step-by-step sequence of how to install and maintain your Speakman SE-4500 HEATED GRAVITYFLO Eye/Face Wash.

The SE-4500 comes complete with:

PART NO.	QTY.	DESCRIPTION
SE-4500	1	Tank Assembly
G76-0028	1	120V 1450W Heater
62-0044	1	Insulating Jacket
-	1	Tubular Wall Bracket
-	1	Hardware Wall Mounting Group
-	1	Installation Manual and Accessories

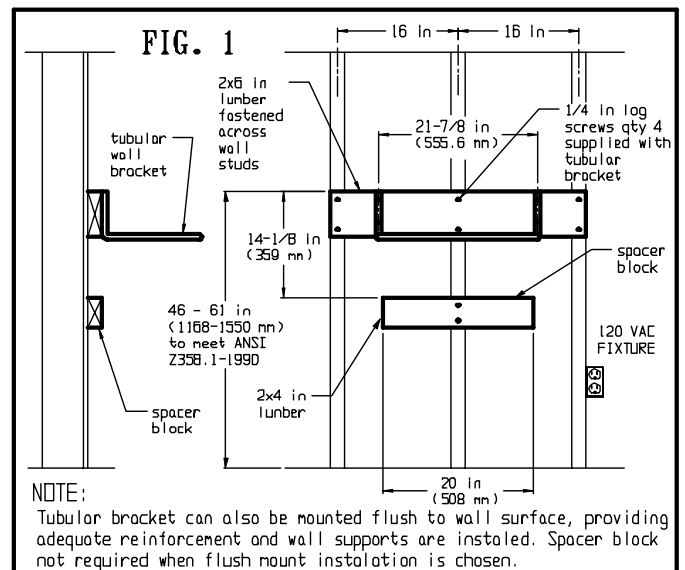
**CAUTION:** The Eye/Face Wash SE-4500 weights approximately 210 lbs. when filled with 21 gallons of water.

**IMPORTANT:** When fastening or mounting the SE-4500 to a wall, make sure that the wall construction is suitable to hold a vertical load of 300 lbs. The SE-4500 comes complete with a tubular wall bracket and hardware to mount the bracket. The tubular bracket must be fastened securely to the wall studs as shown. Where concrete or other composition wall constructions are involved, consult a building contractor for the correct fastening and mounting hardware to install the tubular wall bracket. Installation height for the SE-4500 should be 33" to 45" from floor to eyewash spray heads (to meet ANSI Z358.1-1998).

1. Clean inside of tank and flush system with clean water. Rinse thoroughly. (For periodic cleaning and maintenance see Section V of the manual.)
2. Select a suitable location. In location with ambient temperature less than 50°F the heater will be plugged in 24 hours a day with insulating jacket on and checked periodically for solution/water level. *Caution: Make sure that the tank is refilled quickly in areas below freezing.* The heater will not work with low level solution (red light will be on) and the solution may freeze damaging the tank.

Do not allow your GRAVITYFLO product to freeze or become overheated. ANSI Z358.1-1998 recommends the emergency Eye/Face Wash unit be in an accessible location that requires no more than 10 seconds to reach and within a travel distance of no more than 100 ft. from the hazard. The area around the Eye/Face Wash should be well-lighted.

3. Install the GRAVITYFLO close to a 120V/20AMP power supply wall fixture, or mount one close within 7 ft. (the power cord supplied is 8 ft. long.)
4. Position tubular wall bracket and secure with four (4) 1/4" lag screws provided. When drilling into tile, masonry, concrete, or other hard materials, wear safety goggles to prevent eye injuries.

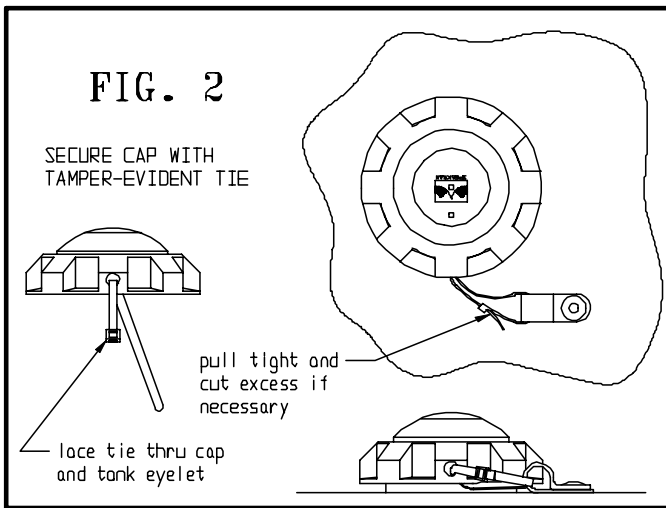


**\*NOTE:** Where physically challenged people in wheelchairs use this product, it may be necessary to lower the installation height to between 32" or 34" for ease of use.

A clear access area at each Eye/Face Wash station should be at least 48" by 48" and should allow either a forward or parallel approach by a person using a wheelchair.

5. Insert SE-4500 down into the tubular wall bracket as shown in Fig. No. 1. Make sure that overhangs on left and right hand side of plastic Eye/Face Wash container rest securely on tubular side arms.
6. **FILLING INSTRUCTIONS**
  - a) The SE-4500 has a total fill capacity of 21 US gallons for maximum Eye/Face Wash performance. In the interest of safety, Speakman Company recommends that the unit be filled to the maximum fill capacity of 21 US gallons at all times.
  - b) Start with a clean Eye/Face Wash container.
  - c) Check to see that drain plug is in place; fill to desired capacity with Speakman SE-4220 EYESAVER Saline Solution.
7. Pull down on rubber handgrip, or pull strap on blanket to insure water flows to Eye/Face Wash heads. Return to closed vertical position.

8. Date and replace "Testing Record Tag" and affix "Tamper Evident Tie" to the small plastic clip fastened to the top cap of the SE-4500. (See Fig. No. 2)



9. Plug the heater cord into 120VAC/20AMPS wall fixture.

Make sure the tank is filled with solution/water. The green light comes ON and the red light is OFF. Check for power or change the light bulb (120VAC, 3.5 Watts maximum) if the green light is not ON. Check for solution level and reset the reset button if red light is ON.

It takes more than 1/2 hour for the full tank to warm up and stays this way as long as the heater is plugged in.

#### IV. OPERATION

**WARNING: This Emergency Eyewash should be used for the emergency treatment of the eyes of a person who has been exposed to injurious material. The victim should seek qualified medical treatment as quickly as possible. It should be noted that the Gravityflo Emergency Eye/Face Wash should not be considered a substitute for primary protective devices. Personal protective equipment should be worn as a defense against both flying particles and splashing of injurious liquids.**

**IMPORTANT:** The more quickly the victim can flush the eyes, the less risk there will be of eye injury. Seconds can make the difference in preventing serious eye or face injury.

1. Pull down the insulating jacket by the belt. The spray arms will come down at the same time because they are secured to the jacket by a holding belt. If not, pull them down. Lower face into stream of water solution.
2. Using thumbs and forefingers, hold eyelids open to allow affected tissue full exposure. Flush eyes for a minimum of 15 minutes. An injured person may require assistance in holding eyelids open.
3. Seek medical attention immediately.

Instruct all employees in use of this emergency Eye/Face Wash. Test weekly. An individual should be assigned to check eyewash liquid level weekly/daily.

All employees or potential users of the Eye/Face Wash should be reminded that **this unit is for emergency use only**; tampering with the unit or using it for non-emergency purposes may cause the unit to be empty when needed.

#### V. PERIODIC CLEANING & MAINTENANCE

**The Speakman Heated GRAVITYFLO Portable Eye/Face Wash has been designed for years of trouble-free service. It is critical to keep this unit clean at all times with Speakman SE-4220 EYESAVER Saline Solution.**

##### Eye Wash Solutions

There are ready-to-use and concentrated brands of Isotonic saline solutions, including Speakman EYESAVER Saline Solution, as an alternate to potable water. The solutions are pH balanced and physiologically similar to human tears. Where a concentrate solution is used, follow recommended mix ratio and cautionary notes. Most eyewash solutions have a life of 6 months.

However, for best results, follow manufacturers' recommendations. For more information, please contact your local Speakman representative or Speakman's Customer Service Department at 1-800-537-2107 or fax at 1-800-977-2747.

##### Daily Cleaning (Potable Water Solution)

It may be necessary under certain conditions to replace the potable water on a daily basis where quality of water is suspect or where excessive Hot/Cold water temperature changes occur. Empty unit by removing side plug, or allow water to run from spray heads by activating the valve. Another alternative is to siphon water with a hose.

