

SPEAKMAN®

SE-242

LIFESAVER® EMERGENCY SHOWER

DESCRIPTION

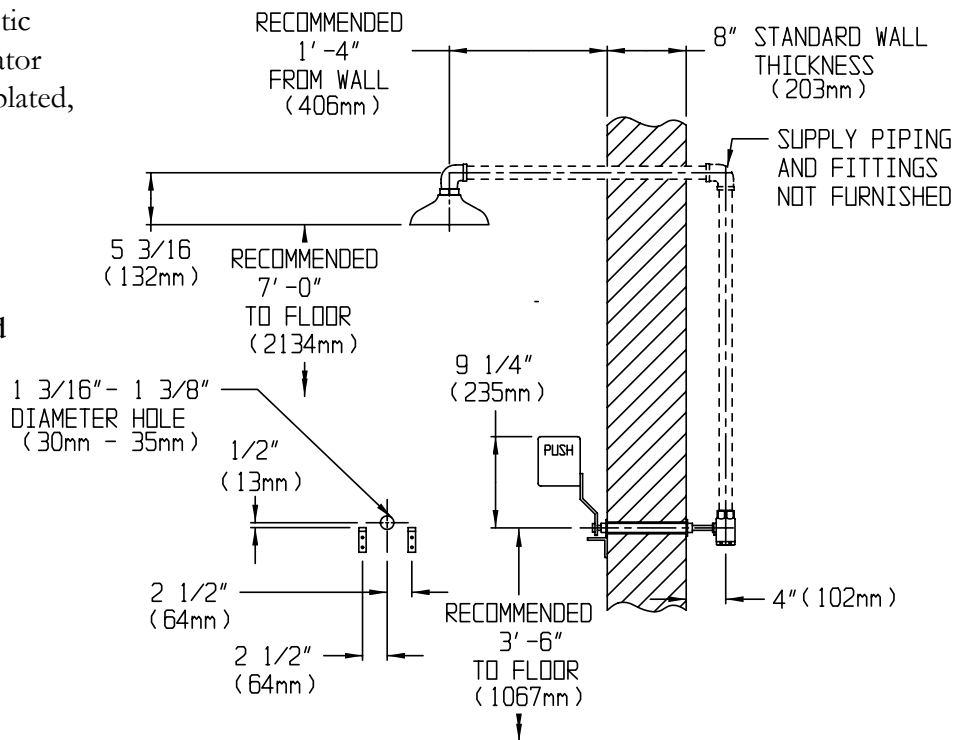
The SE-242 Lifesaver® Emergency Shower features a wall mounted deluge shower supplied with stay-open full flow ball valve, activated by paddle handle. Designed for valve to be mounted in heated area for freeze protection.

SPECIFICATIONS

- Showerhead:** 8" Cylolac® yellow plastic
- Flow Control:** Internal 20 gpm regulator
- Valve:** 1" NPT female brass, chrome-plated, stay-open valve
- Activator:** Wall mounted push flag
- Inlet:** 1" NPT female
- Performance:** 20 gpm @ 20 psi
- Compliance:** ANSI Z358.1
- Universal Emergency Sign Included**

OPTIONS

- BH Brass showerhead
- FLW Flow switch
- SSBV Stainless steel ball valve
- SSH Stainless steel showerhead



Job Name _____
Location _____
Architect/Engineer _____
Sales Representative _____
Wholesaler _____
Date _____ Model # _____