

# SPEAKMAN COMPANY

## SC-7110 thru SC-7119 Series Installation, Maintenance & Operation Instructions SINGLE LABORATORY FAUCET

### DESCRIPTION

Speakman polished chrome plated single laboratory faucet with PERFECT® valve. Brass body. 5-1/4 spread brass gooseneck, swivel or rigid. Metal handle with white index. Vandal-resistant water conserving aerated outlet device reduces flow to 2.2 GPM/8.4 LPM maximum to meet existing ASME A112.18.1/CSA B125.1 Standard. 1/2" NPSM male threaded inlet shank.

### SPECIFICATIONS

SUPPLY: 1/2-14 NPSM COMPRESSION COUPLING OR 1/2 COPPER SWEAT CONNECTION.

FLOW RATE: 2.2 GPM/8.4 LPM MAX

SHIPPING WEIGHT: 4.14 LBS. (SC-7112)

### OPTIONS

◇ BOCA - Vandal-Resistant 0.5 gpm Flow Regulator	◇ ST- Serrated Tip (Vacuum Breaker Spouts Only)	◇ GB - Vandal-Resistant 1.5 GPM Aerator Outlet Device
◇ FC - Laminar Flow Plain End Spout	◇ SW – Swivel Spout Assembly (Vacuum Breaker Spouts Only)	◇ 9 – 9" Swing Spout
◇ LF - Vandal-Resistant 2.2 gpm Laminar Flow Outlet	◇ VB6 - 6" Spread Rigid Vacuum Breaker Spout	◇ 12 - 12" Swing Spout
◇ SO – Spray Outlet	◇ VB8 - 8" Spread Rigid Vacuum Breaker Spout	◇
◇ 4 - 3-3/4" Spread Gooseneck Spout	◇ 8 - 8" Spread Gooseneck Spout	◇

### INSTALLATION INSTRUCTIONS

Note- (Rigid vacuum breaker spouts only) If space is limited between faucet hole and backsplash/wall, install vacuum breaker spout to faucet body at this time (See Step #3).

- 1) Install friction/seal gasket onto shank of faucet. Place faucet in hole of sink/countertop. Working from under the sink, slip cup washer or flat washer onto shank and screw locknut up on shank hand tight. Position body and wrench tighten locknut.
- 2) Connect water supply line to the inlet of body shank and tighten coupling nut with a wrench.
- 3) From above sink, install the spout. **For All Swiveling Spout:** Install spout assembly into the body outlet and wrench tighten spout collar nut. Do not use the spout locking washer. **For Rigid Spout:** Place the spout locking washer into the body outlet, install the spout assembly, position, and wrench tighten the spout collar nut. **For Rigid Vacuum Breaker Spout- VB6/8 (Less "SW" option):** Do not use the spout locking washer. **IMPORTANT- First install rigid adapter in body and wrench tighten** (See Rough-In on back side of sheet). Apply thread locker/sealant to the spout tapered pipe threads. Screw the spout into the adapter until the threads start to get snug. Note- When positioning the spout, hold adapter hex with a wrench, so body does not rotate. Holding the hex of the adapter with a wrench, tighten the spout at least 1/3 turn to the proper position (Do not over tighten spout). Remember that the thread locker/sealant will lock and seal the spout assembly in place.
- 4) Slip trim sleeve onto valve spindle. Position handle and screw onto spindle. Press index button into handle.
- 5) Turn water supply on and flush out faucet. Install outlet device (If applicable) and check all connections for leaks.

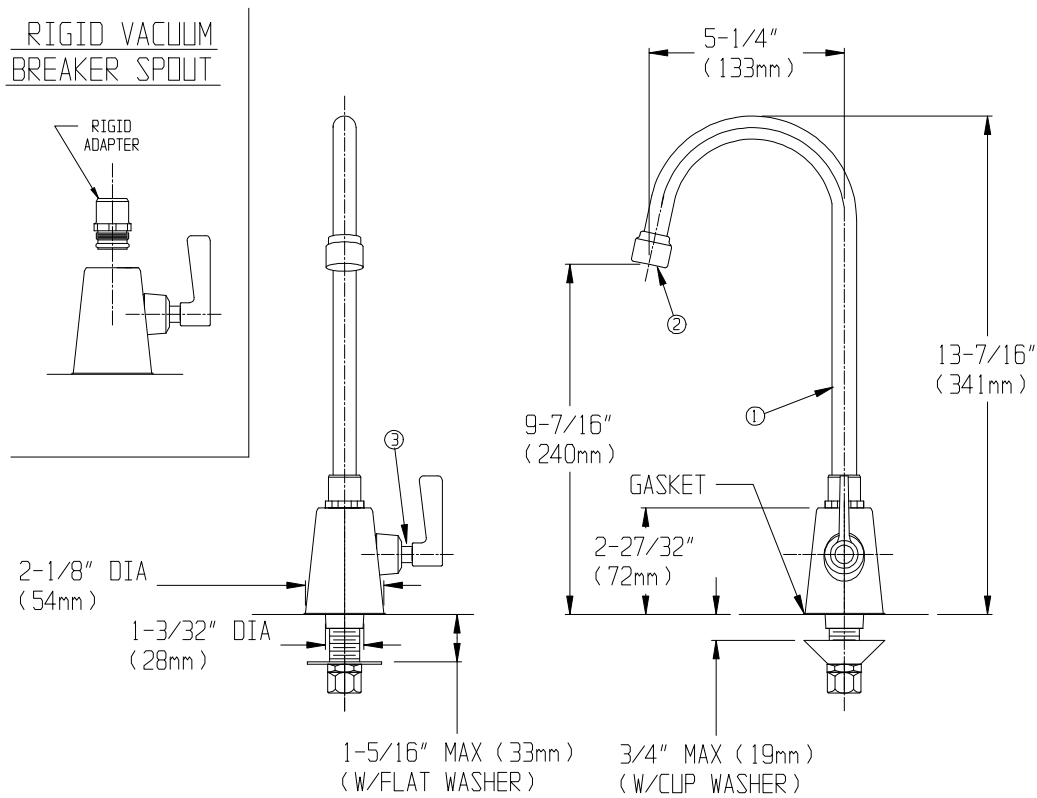
### OPERATION

Simply rotate the handle 1/4 turn maximum to operate the laboratory faucet.

**MAINTENANCE** (CARE and CLEANING)

The faucet valve is washerless and requires no routine maintenance. The gleaming finish of your SPEAKMAN laboratory faucet can be cleaned by using mild soap and warm water. Dry immediately with a soft, clean cloth for best results.

**ROUGH-IN MEASUREMENTS**



NOTES:

- 1) ALL DIMENSIONS ARE IN INCHES (mm) UNLESS OTHERWISE SPECIFIED AND ARE SUBJECT TO CHANGE WITHOUT NOTICE.
- 2) INLET IS SIZED FOR EITHER COUPLING OR SWEAT CONNECTION.

<u>ITEM NUMBER</u>	<u>PART OR GROUP NUMBER</u>	<u>DESCRIPTION</u>
1	RPG18-0213-PC	STANDARD 5" SPREAD GOOSENECK ASSEMBLY
2	RPG05-0674-PC	2.2 GPM AERATOR ASSEMBLY
3	RPG05-0532	PERFECT® VALVE GROUP (RED) W/TRIM SLEEVE AND SCREW

**SPEAKMAN®**

PO Box 191 Wilmington, DE 19899 Phone: 800-537-2107 Fax: 800-977-2747  
 Visit us on the web at [www.speakmancompany.com](http://www.speakmancompany.com)