

SPEAKMAN COMPANY

S-8600 Installation, Maintenance & Operation Instructions

SENSORFLO®

SURGEON SCRUB SINK DECK MOUNTED GOOSENECK SPOUT

DESCRIPTION

Speakman chrome plated brass, deck mounted gooseneck spout for use on surgical scrub sinks. Integral spray head with removable spray face. Stainless steel braided supply hose with ½" NPSM swivel female x 3/8" compression female connections.

SPECIFICATIONS

INLET SUPPLY: ½" NPSM MALE

SHIPPING WEIGHT: XXX LBS.

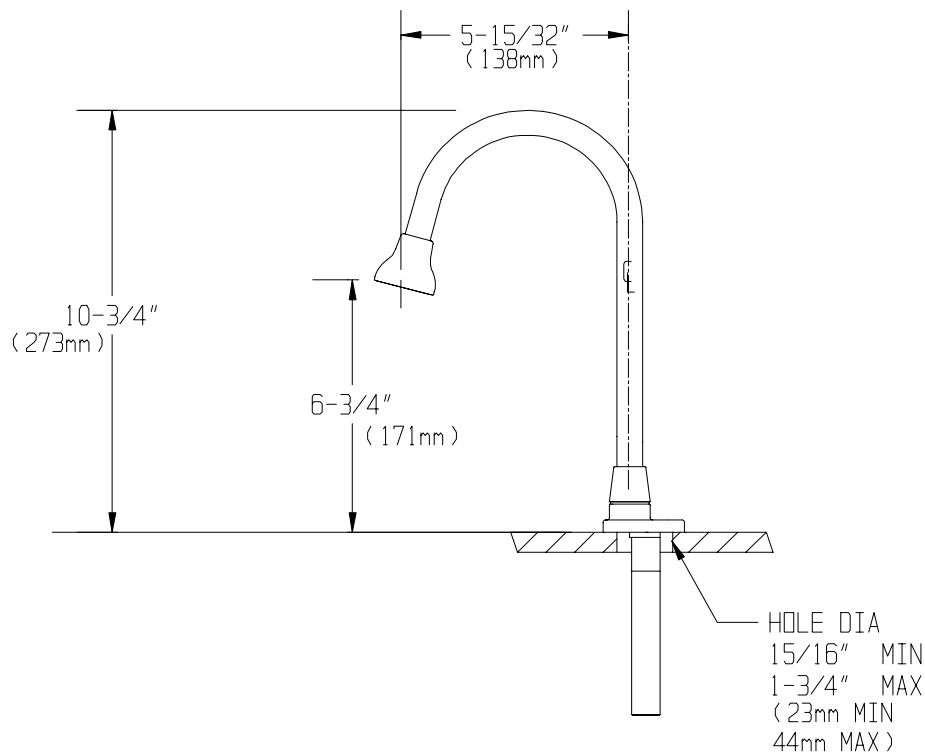
INSTALLATION

Slip rubber spout gasket onto shank of spout. Attach spout to sink by inserting spout shank through sink hole and securely fasten using the flat washer, tubular shank spacer, lock washer and flanged locknut. Attach the outlet supply hose to the spout shank and tighten. DO NOT OVERTIGHTEN. Finger tightened plus 1/3 to ½ turn with a wrench is all that is required.

MAINTENANCE (CARE and CLEANING)

Periodically remove spray face and clean out any clogged spray holes. The gleaming finish of your SPEAKMAN SENSORFLO® gooseneck spout can be cleaned by using mild soap and warm water. Dry immediately with a soft, clean cloth for best results.

ROUGH-IN MEASUREMENTS



NOTES:

1. ALL DIMENSIONS ARE IN INCHES (MILLIMETERS) UNLESS OTHERWISE SPECIFIED AND ARE SUBJECT TO CHANGE WITHOUT NOTICE.
2. INLET HOSE WITH 1/2" NPSM & 3/8" COMPRESSION FEMALE CONNECTIONS SUPPLIED.