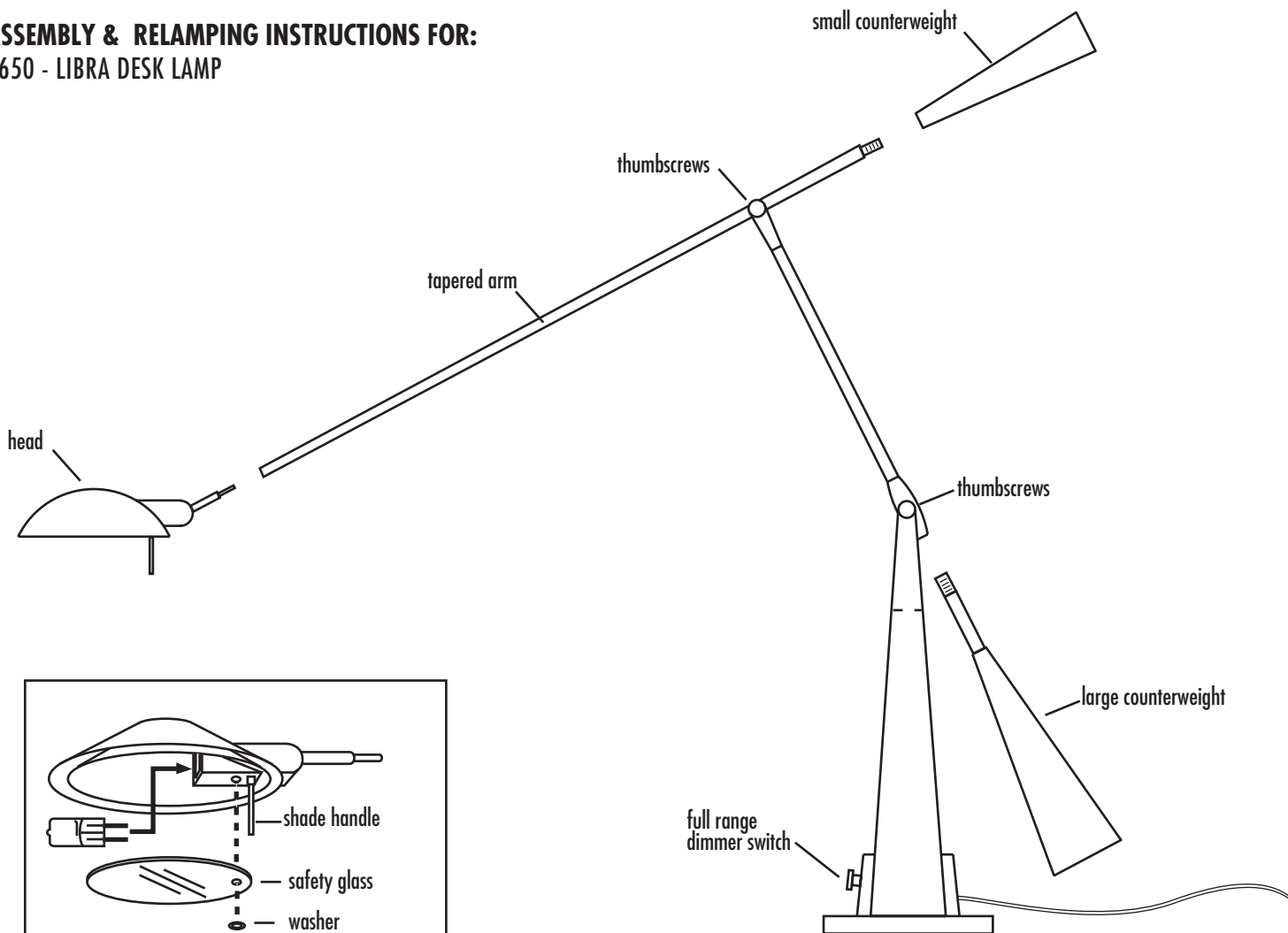


SONNEMAN[®]

A WAY OF LIGHT

ASSEMBLY & RELAMPING INSTRUCTIONS FOR: 1650 - LIBRA DESK LAMP



LAMPING/ RELAMPING INSTRUCTIONS FOR FEATHER

1. When replacing the bulb, unplug lamp and allow to cool for 15 minutes before handling.
2. Remove screw to release the washer and safety glass.
3. Carefully insert the bulb into the socket of the lamp, using a glove or cloth, to protect the bulb's surface from fingerprints.
4. Reassemble Glass, Washer and secure with screw.

CAUTION: DO NOT INSERT ANY BULB OTHER THAN THE 50 WATT, BI-PIN HALOGEN.

1. Attach the large counterweight to lower swivel.
2. Attach the small counterweight to tapered arm.
- 3 Plug head into tapered arm.
4. Use thumbscrews to adjust balance of the arms