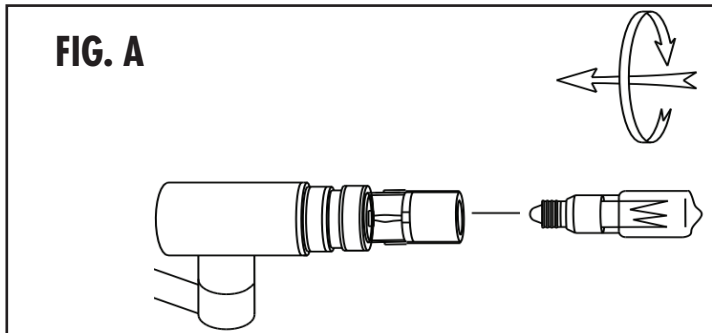


Important: Always unplug the power cord before installing or replacing bulb and before cleaning or other maintenance.

BULB INSTALLATION/REPLACEMENT (Fig. A)

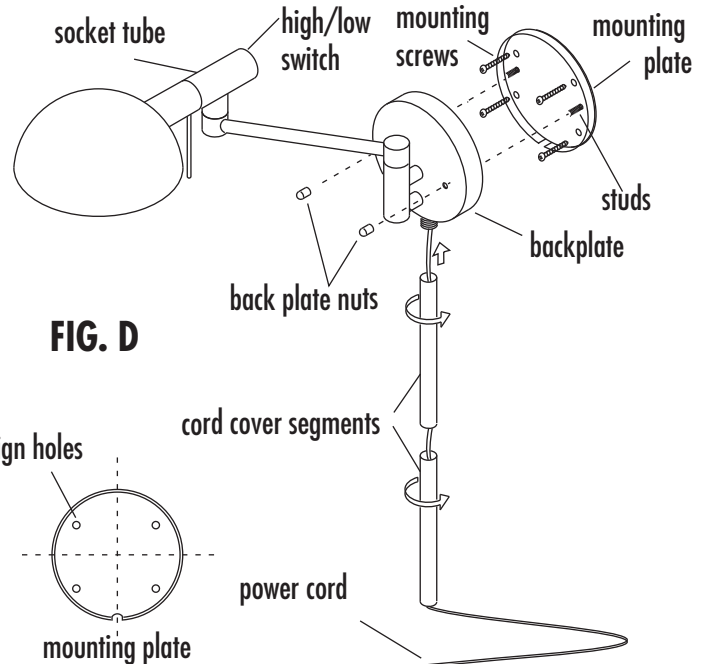
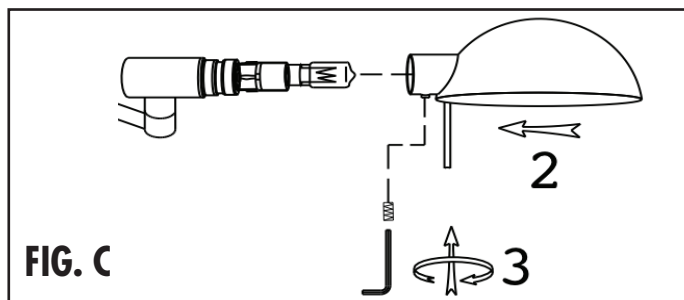
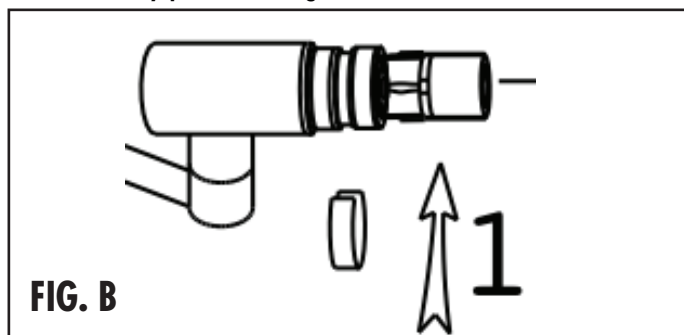
1. Remove bulb from box. Hold the bulb by the ceramic part or use protective cloth. Push in bulb while screwing it into the socket. The socket is spring loaded.

NOTE: DO NOT TOUCH THE GLASS PART OF THE BULB WITH BARE HANDS. Oil from fingerprints will reduce life of the bulb.



SHADE ASSEMBLY

1. Position Teflon Ring on Socket Tube with slot facing up. (Fig. B)
2. Slide Shade Socket Tube. Make sure slot in Teflon Ring aligns with shade hole. (Fig. C)
3. Secure Shade to Socket Tube by screwing in hex screw with hex key provided. (Fig. C)



WALL MOUNTING (Fig. D)

1. Screw the two cord cover segments together.
2. Screw the assembled cord cover to back plate of lamp.
3. Remove mounting plate from the backplate of the lamp.
4. Using the mounting plate as a template, mark the location of the holes for the wall anchors. Make sure the hole locations are aligned so the lamp will mount in the proper orientation.
5. Drill appropriate size holes. Install wall anchors. Screw mounting plate to wall.
6. Place lamp back plate over studs in mounting plate and secure with the back plate nuts.
7. Plug in power cord. The High-Low Switch is located at the end of the Socket Tube.

Important Safety Instructions Lighted lamp is HOT!

1. Disconnect and allow to cool for at least 5 minutes before replacing bulb.
2. Bulb gets HOT quickly! Be sure power is off when re-lamping.
3. Do not touch hot enclosure.
4. Do not direct light at persons.
5. Do not look directly at lighted bulb.
6. Keep lamp away from curtains, draperies, and similar materials.
7. Use only a 120v, 75watt, mini can (E11) base, halogen bulb.
8. Do not touch bulb at any time. Use a soft cloth to clean. Oil from skin may damage bulb integrity.
9. Do not operate the lamp with damaged or missing shield.
10. Damaged shields should be replaced before lamp is used.