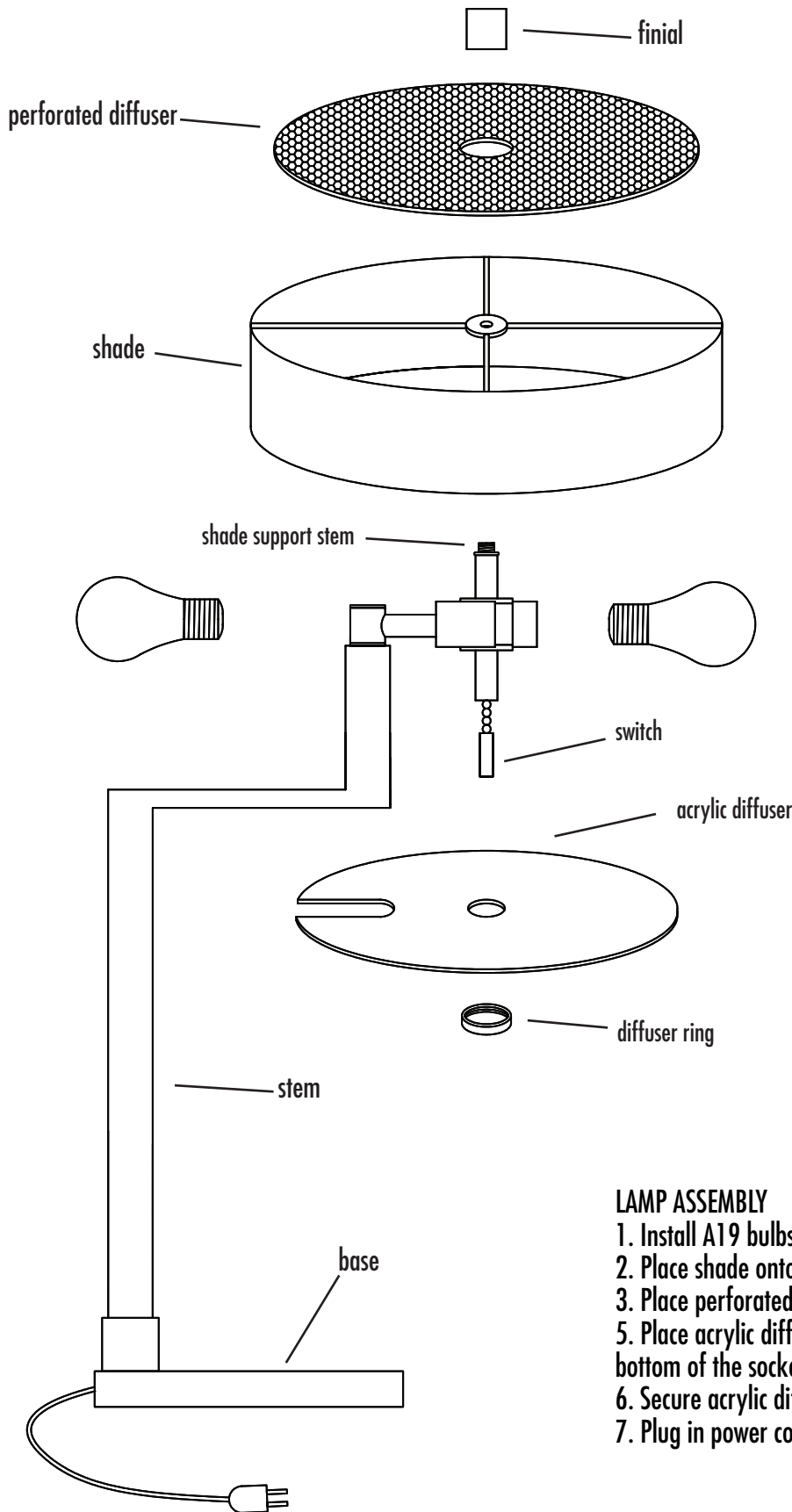


Important: Always unplug the power cord before installing or replacing bulb and before cleaning or other maintenance.



LAMP ASSEMBLY

1. Install A19 bulbs (not included).
2. Place shade onto shade support stem.
3. Place perforated diffuser on shade and secure it with finial.
5. Place acrylic diffusers on acrylic diffuser support stem from the bottom of the socket.
6. Secure acrylic diffuser by diffuser ring.
7. Plug in power cord. ON-OFF switch is located below the shade.