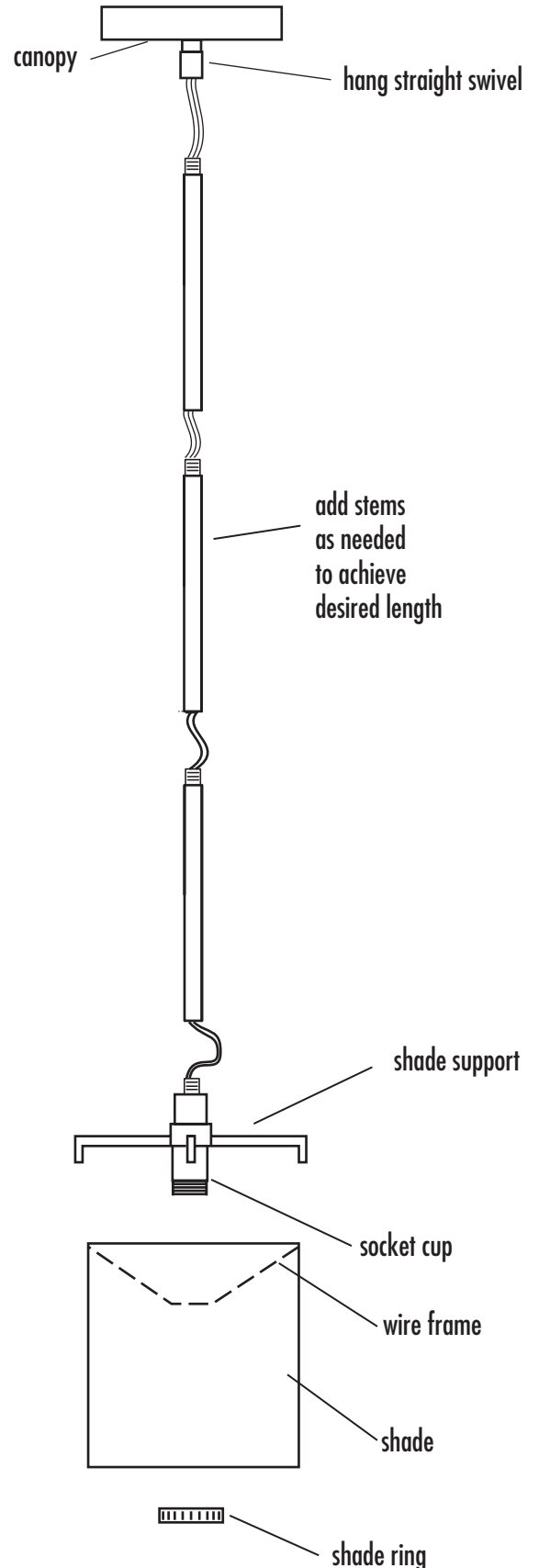
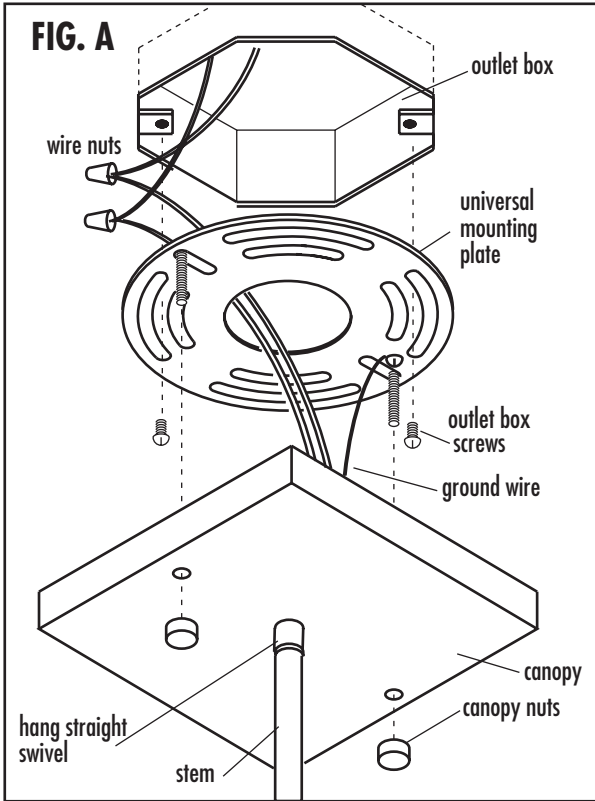


**This light should be installed
by a licensed electrician.**



LAMP INSTALLATION AND ASSEMBLY

1. Shut off power to the outlet box.
2. Unscrew canopy locknuts and remove mounting plate from the canopy. Attach the plate to the outlet box using outlet box screws. (Fig. A)
3. Determine the height which the fixture is to be hung. Screw together stems on to the shade holder stems as needed to achieve desired length. (Fig. B)
4. Make appropriate electrical connections using wire nuts. If there is no green ground wire from the outlet box, then connect the fixture wire to the mounting plate with the green screw provided. Place connections in outlet box.
5. Attach canopy over outlet box with canopy cap nuts.
6. Place shade on shade holder and secure with shade ring.
7. Restore power to fixture.