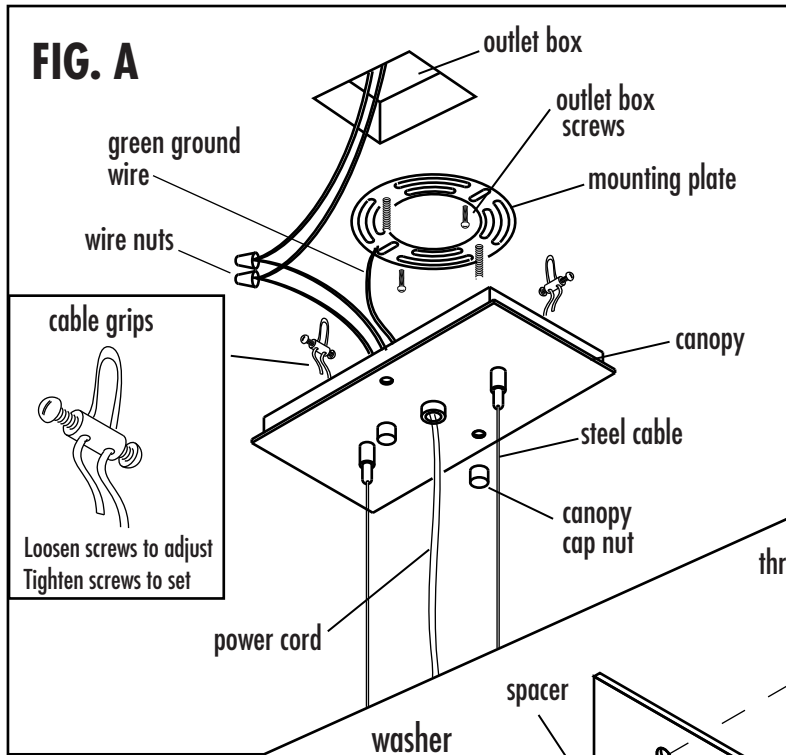
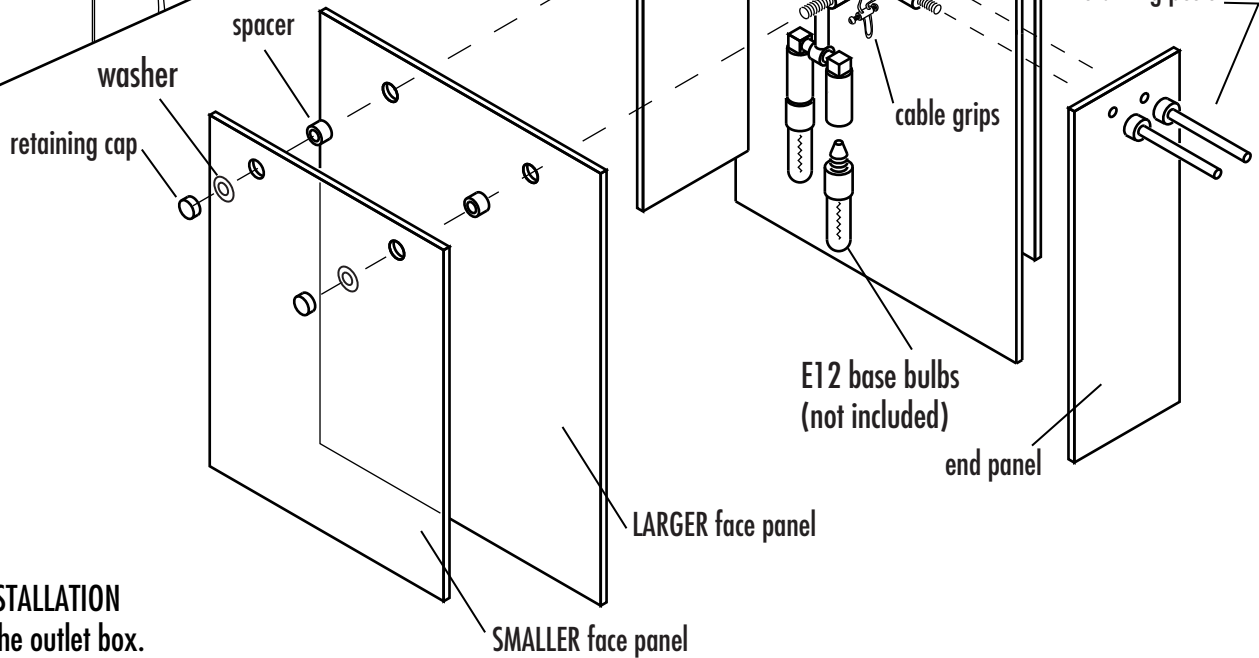


This light should be installed by a licensed electrician



**FIG. B**



### LAMP ASSEMBLY & INSTALLATION

1. Shut off power to the outlet box.
2. Attach mounting plate to outlet box using outlet box screws.(Fig. A)
3. Determine height which the fixture is to be hung. Adjust the length of the steel cables and power cord.
4. Make appropriate electrical connections using wire nuts. If there is no green ground wire from the outlet box, connect the fixture ground wire to the cross bar with the green screw provided.
5. Attach canopy over outlet box with canopy cap nuts.
6. Make sure the fixture hangs level. Fine tuning can be done by adjusting the lower cable grips located on the fixture body.
7. Install E12 candelabra base bulbs (not included). A frosted bulb is preferred. (Fig. B)
8. Carefully place end panels on fixture and secure with retaining posts.
9. Remove the retaining cap and the spacer from each of the threaded posts on the sides of the fixture.
10. Carefully place the two LARGER face panels on the fixture.
11. Place the four spacers on the four posts.
12. Carefully place the two SMALLER face panels on the fixture.
13. Secure the panels with the four retaining caps and washers. **DO NOT OVERTIGHTEN** - the glass may crack.