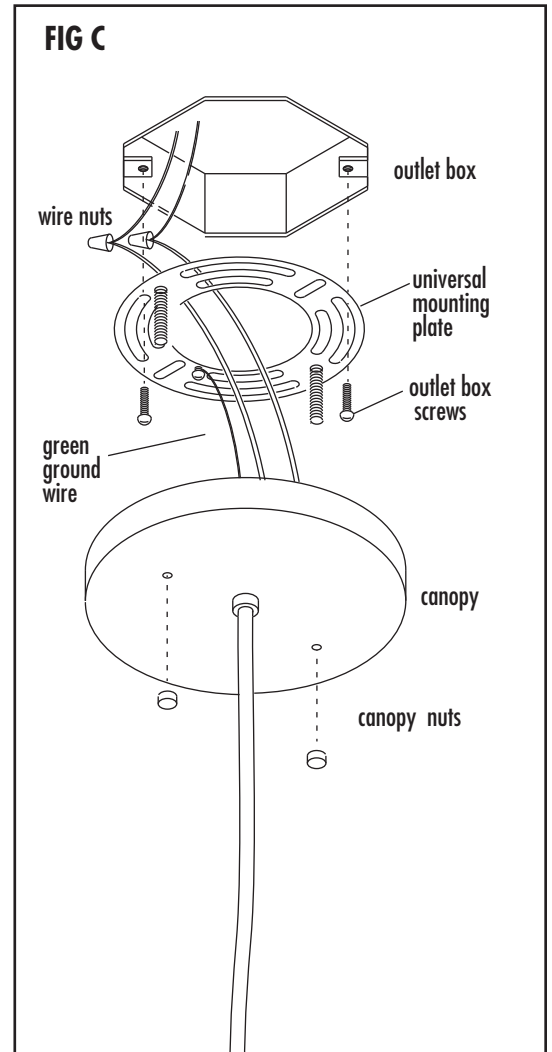
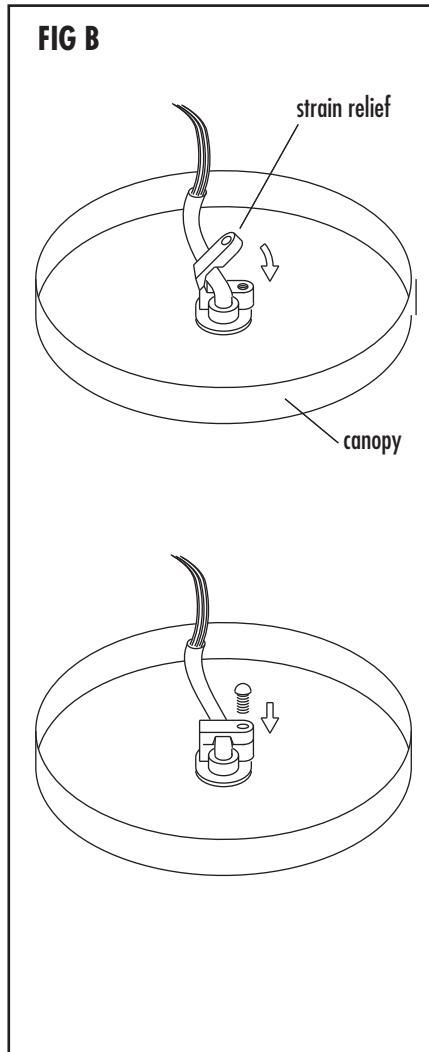
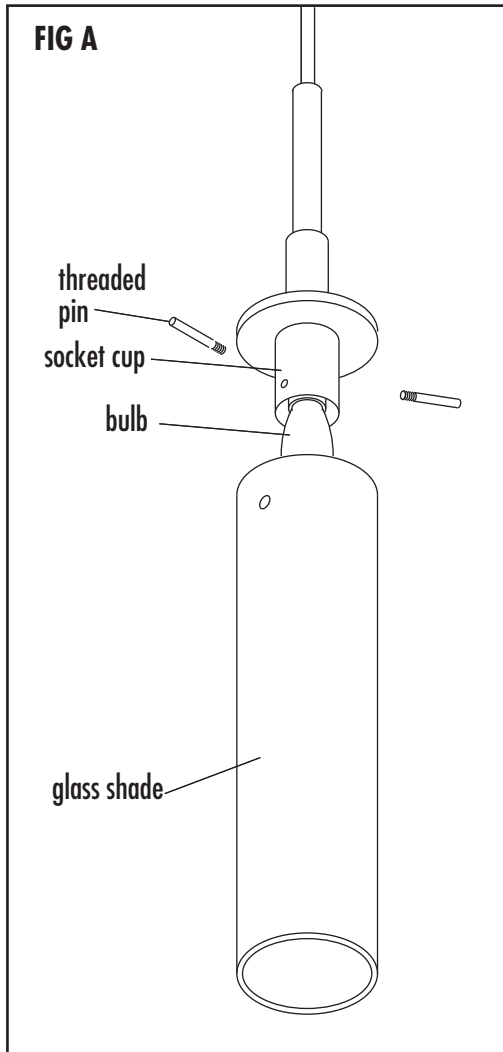


This light should be installed by a licensed electrician



LAMP ASSEMBLY & INSTALLATION

1. Shut off power to the outlet box
2. Install 60 watt, E12 candelabra base bulb (not included). A frosted bulb is preferred.
3. Position glass shade over socket cup, aligning the holes in the shade with the threaded holes in the socket cup. Secure glass with the three threaded pins. (Fig A)
4. Loosen strain relief in the canopy to adjust length of cable. Be sure to secure the strain relief once the desired length is obtained. (Fig. B)
5. Attach universal mounting plate to outlet box using outlet box screws. (Fig. C)
6. Make appropriate electrical connections using wire nuts. If there is no green ground wire from the outlet box, connect the fixture ground wire to the cross bar with the green screw provided. place connections in outlet box.
7. Attach canopy over outlet box with canopy nuts.