

DESCRIPTION

- Metal spray face and shell
- Brass swivel ball assembly
- Available in chrome plated, LifeShine® brushed nickel, oil rubbed bronze, nickel or wrought iron finish

OPERATION

- Self pressurizing design provides strong performance regardless of line pressure
- Single spray function

FLOW

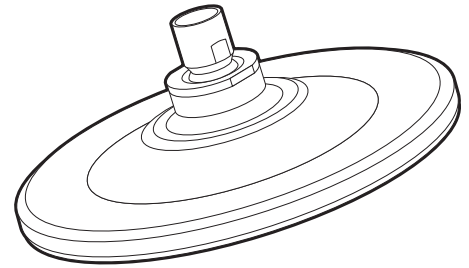
- Designed to deliver 2.5 gpm max. (9.5 L/min)

STANDARDS

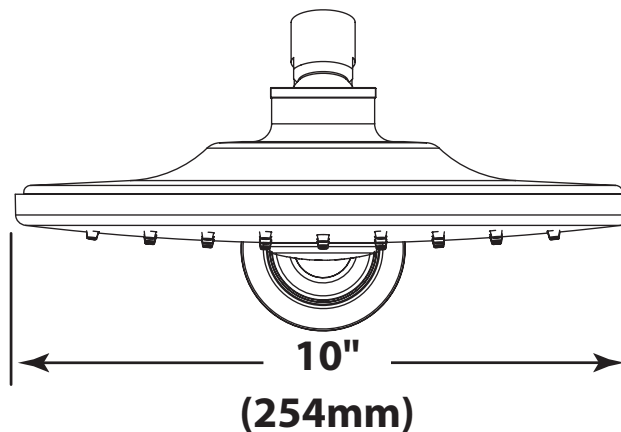
- Third party certified to CSA B125, ASME A112.18.1M, and all applicable requirements referenced therein

WARRANTY

- Lifetime limited warranty against leaks, drips and finish defects to the original consumer purchaser
- 5 year warranty if used in commercial installations



Waterhill™
10" Rainfall Showerhead
(Showerhead Only)
**Models: S112, S112BN, S112NL,
S112ORB, S112WR**



CRITICAL DIMENSIONS

(DO NOT SCALE)