

DESCRIPTION

- Handheld shower (metallic), available in a chrome plated, LifeShine® brushed nickel or oil-rubbed bronze finish
- Includes single function hand shower with 69" hose assembly, and wall bracket
- Vacuum breaker

OPERATION

- Single function

FLOW

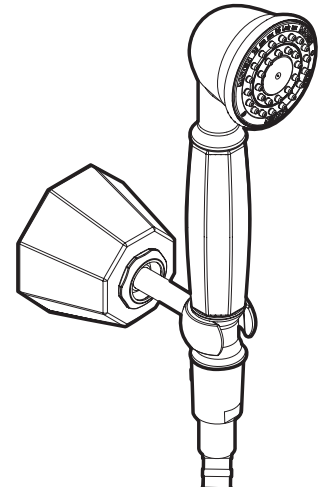
- Designed to deliver 2.5 gpm (9.5 L/min) at 60 psi

STANDARDS

- Designed and manufactured to comply with the applicable requirements of: CSA B-125 and ASME A112.18.1M and ASSE 1014 and all applicable specifications referenced therein

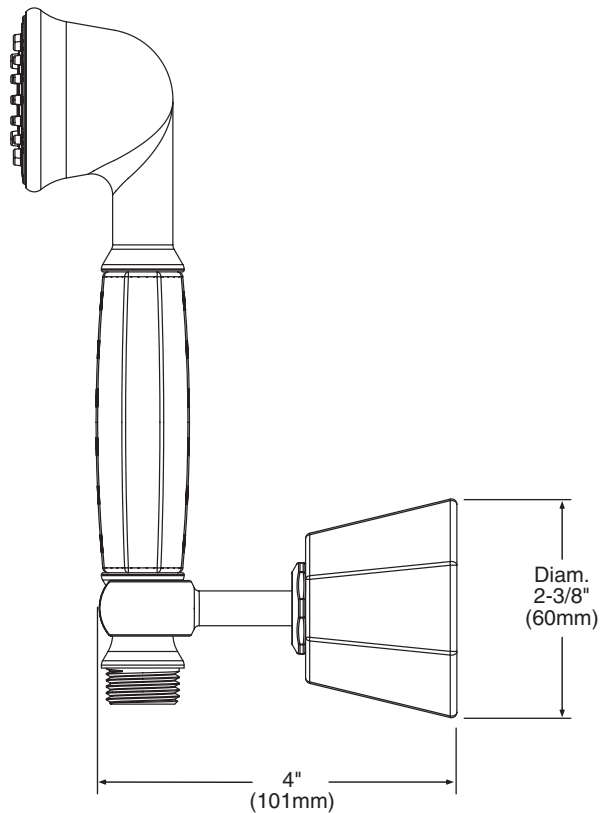
WARRANTY

- Lifetime limited warranty against leaks, drips and finish defects to the original consumer purchaser



Hand Shower with Wall Bracket

Models: S145, S145BN, S145ORB



CRITICAL DIMENSIONS
(DO NOT SCALE)