

INSTALLATION AND SAFETY INSTRUCTIONS

IMPORTANT SAFETY INSTRUCTIONS

- Be sure the electricity to the system you are working on is turned off; either the fuse removed or the circuit breaker set at off.
- Use of other manufacturers components will void warranty, listing and create a potential safety hazard.
- If you are unclear as to how to proceed, contact a qualified electrician.
- You don't need special tools to install this fixture.
- Be sure to follow the steps in the order given.
- Read instructions carefully.
- Proper wiring is essential for the safe operation of this fixture.
- Do not install on a post of a pole that results in a vertical rise of 25 feet or higher.
- Save these instructions.

ASSEMBLY

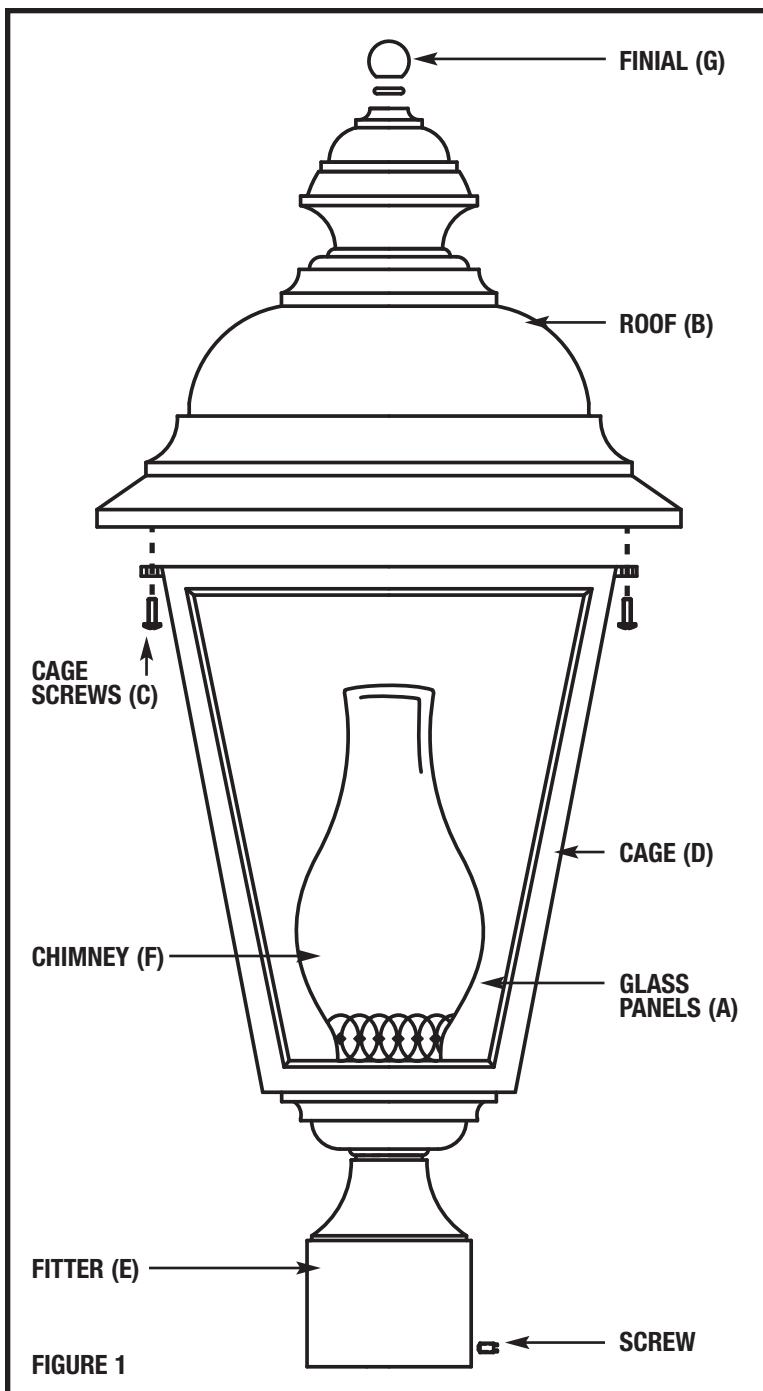
STEP 1:

Install glass panels (A) inside of cage (D) (if applicable).

There is a variation in all castings - in some cases the glass panels may be slightly loose when installed - you may want to tape it in place. Two (2) sided tape has been supplied for this purpose - remove protective paper from each side of tape - place on upper end of glass - install and press against casting.

CAUTION:

Fixtures with photo-cells should be mounted at least 48" from all sides to avoid reflection of light back onto Photo-cell, causing the Photo-cell to malfunction or flicker.



sea gull lighting®

Installation And Safety Instruction

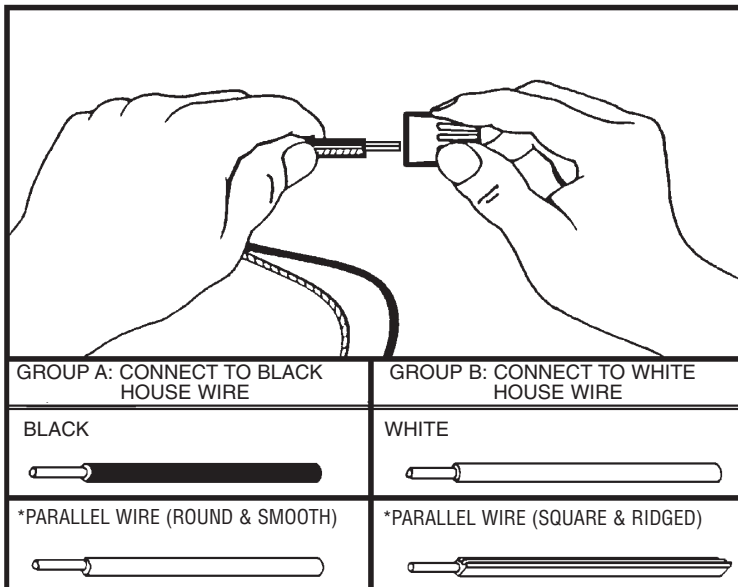
HC-279

083107

Fill In Item Number On Carton And
File This Sheet For Fixture Reference. ITEM# _____

STEP 1:

A. Take note of the color of the wire(s) on your fixture. Identify which group your fixture wire(s) falls into and connect the wires according to the directions below:



*NOTE: When parallel wire is used, the tracer wire is square shaped or ridged, and the less tracer wire is round in shape or smooth. (Seen best when viewed from wire end.) To separate wires, grasp the ends of each wire and pull apart.

- B.** Take your fixture wire(s) from group A and place evenly against the black wire from the outlet box. **Do Not** twist wires together before using wire connectors.
- C.** Fit a wire connector (not supplied) over the wires and thread the connector clockwise until you feel a firm resistance.
- D.** Gently try to remove the wires from the connector. If you can remove the wires, carefully re-do steps B and C, as above, and check again for a firm connection.
- E.** Connect the fixture wire from group B to the white wire from the outlet box in the same manner.

STEP 2:

GROUND INSTRUCTIONS:

Connect the ground wire from the fixture (bare metal or green insulated wire) to the ground wire from the power supply (bare metal or green insulated wire) using a small wire connector (not supplied).

NEVER CONNECT GROUND WIRE TO BLACK OR WHITE POWER SUPPLY WIRES.

STEP 3:

Slide fitter (E) onto post. Secure in place.

FINAL ASSEMBLY

Make sure no bare wires can be seen outside wire connectors.

STEP 1:

Install candle covers (if applicable).

STEP 2:

Install lamp.

STEP 3:

Install chimney (F) (if applicable).

STEP 4:

Place roof (B) onto cage (D) and secure in place with cage screws (C) Thread finial (G) onto mounting nipple protruding through roof (B).

CLEANING

To clean, wipe fixture with a soft cloth. Clean glass with a mild soap. Do not use abrasive materials such as scouring pads or powders, steel wool or abrasive paper.

ORDERING PARTS

Keep this sheet for future reference, and in case you need to order replacement parts. Parts for this fixture can be ordered from place of purchase. Be sure to use exact wording from illustration when ordering parts.