

INSTALLATION AND SAFETY INSTRUCTIONS

IMPORTANT SAFETY INSTRUCTIONS

- Be sure the electricity to the system you are working on is turned off; either the fuse removed or the circuit breaker set at off.
- Use of other manufacturers components will void warranty, listing and create a potential safety hazard.
- If you are unclear as to how to proceed, contact a qualified electrician.
- You don't need special tools to install this fixture.
- Be sure to follow the steps in the order given.
- Under no circumstances should a fixture be hung on house electrical wires, nor should a swag type fixture be installed on a ceiling which contains a radiant type heating system.
- Read instructions carefully.
- Save these instructions.

ASSEMBLY

Carefully remove the fixture from the carton and check that all parts are included, as shown in Figure 1 & 2. Be careful not to misplace any of the screws or parts which are needed to install this fixture. **NOTE:** This fixture may be installed either flush mount or chain-hung. Follow the steps for the mounting method you have chosen.

FOR CHAIN-HUNG

STEP 1:

Secure standard mounting bar (Y) to outlet box using outlet box screws (not supplied). Thread nut (G) onto nipple (X) so three threads are exposed. Thread nipple (X) into mounting bar (Y) and secure by tightening nut (G) to mounting bar (Y).

STEP 2:

Install fixture loop (B) to fixture canopy (C). Thread screw collar (E) onto nipple (X)

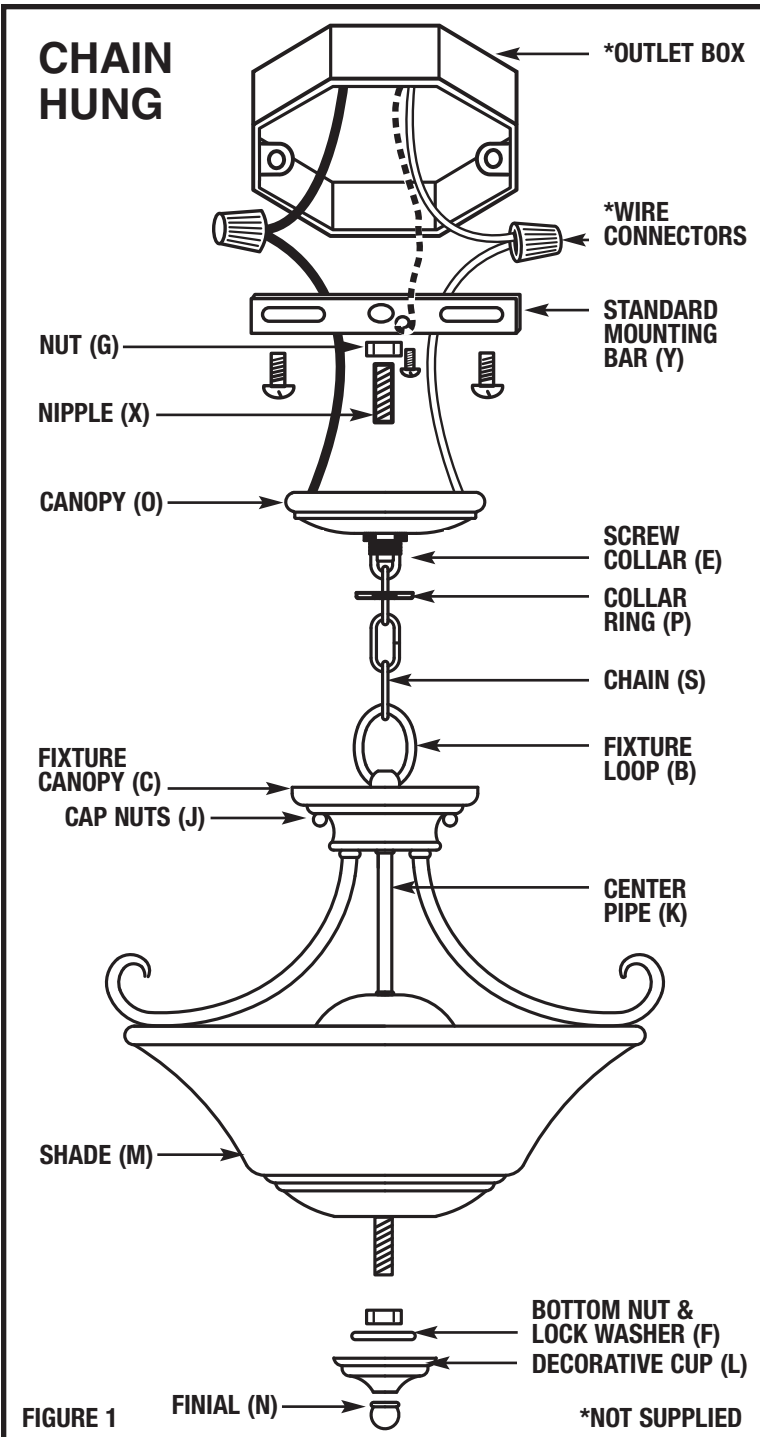


FIGURE 1

GROUNDING AND MOUNTING BAR LOCK UP FOR FLUSH MOUNT

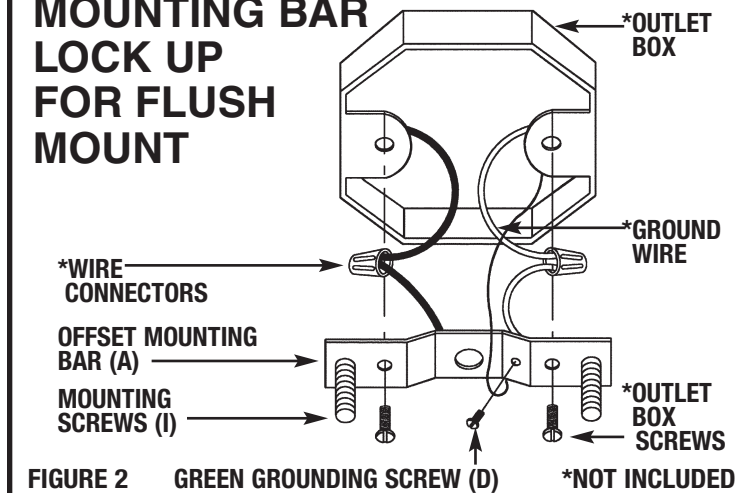


FIGURE 2 GREEN GROUNDING SCREW (D) *NOT INCLUDED



sea gull lighting®

Installation And Safety Instruction

HC-1057

081507

Fill In Item Number On Carton And File This Sheet For Fixture Reference. ITEM# _____

IMPORTANT: DO NOT ATTACH FIXTURE DIRECTLY TO OUTLET BOX.

STEP 1: FOR FLUSH MOUNT

Thread fixture mounting screws (I) in through top of offset mounting bar (A) (raised side is on top, as illustrated). Run screws all the way down to the heads. Secure offset mounting bar (A) to outlet box with outlet box screws (not supplied). Make sure fixture loop (B) is removed from fixture canopy (C), and fixture canopy (C) is secured with lockwasher and hexnut.

FOR CHAIN HUNG ONLY

Using 2 pairs of pliers, open one link of chain (S) and connect it to the fixture loop (B) at the top of the fixture. Slide collar ring (P) and canopy (O) to top of fixture.

STEP 1:

Open one link on the other end of the chain (S) and attach it to the screw collar (E).

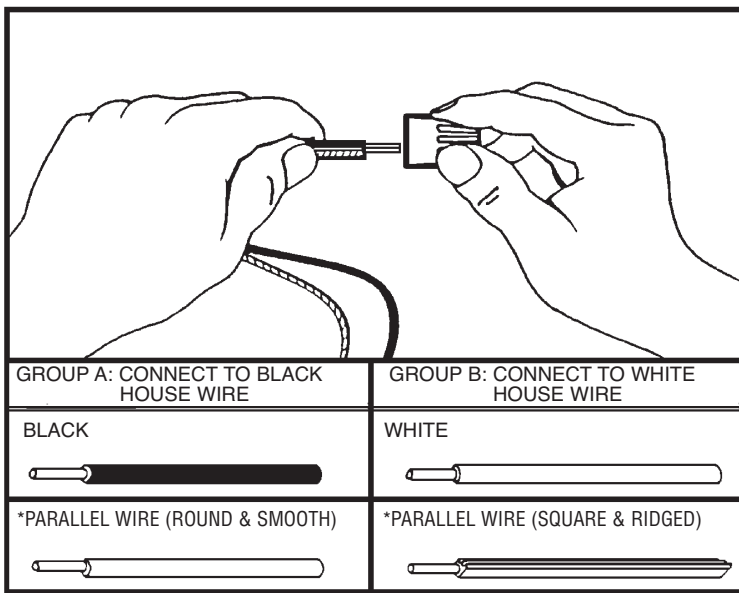
BE SURE TO CLOSE ALL CHAIN LINKS COMPLETELY.

STEP 2:

Pass wires through hole in screw collar (E).

WIRING INSTRUCTIONS

A. Take note of the color of the wire(s) on your fixture. Identify which group your fixture wire(s) falls into and connect the wires according to the directions below:



*Note: When parallel wire is used, the tracer wire is square shaped or ridged and less tracer wire is round in shape or smooth. (Seen best when viewed from wire end.) To separate wires, grasp the ends of each wire and pull apart.

- B.** Take your fixture wire(s) from group A and place evenly against the black wire from the outlet box. **DO NOT** twist wires together before using wire connectors.
- C.** Fit a wire connector (not supplied) over the wires and thread the connector clockwise until you feel a firm resistance.
- D.** Gently try to remove wires from connector. If you can remove wires, carefully re-do steps B and C, as above and check again for a firm connection.
- E.** Connect the fixture wire from group B to the white wire from the outlet box in the same manner.

GROUNDING INSTRUCTIONS:

The green grounding screw (D) is to be inserted into the hole with two raised dimples provided on the mounting bar (A). Wrap the ground wire (F) from the fixture (if supplied) and the ground wire from the outlet box (bare metal or green insulated wire) around the green grounding screw (D) on the mounting bar (A) if uninsulated wire is on the mounting bar (A), connect the ground wire (F) from the fixture (if supplied) and the outlet box to it using a small wire connector (not supplied).

NEVER CONNECT GROUND WIRE TO BLACK OR WHITE POWER SUPPLY WIRES.

FINAL ASSEMBLY

Make sure no bare wires can be seen outside wire connectors.

STEP 1: FOR FLUSH MOUNT

After wires are connected, tuck them carefully inside outlet box and then raise the fixture canopy (C) against ceiling allowing for mounting screws (I) to protrude through holes in fixture canopy (C). Secure in place with cap nuts (J).

STEP 1: FOR CHAIN HUNG

Raise canopy (O) to ceiling and secure by threading collar ring (P) to screw collar (E).

STEP 2:

Insert lamps.

STEP 3:

Raise shade (M), to center pipe (K) and secure by threading bottom nut and lockwasher (F), decorative cup (L), and finial (N) to center pipe (K).

CLEANING

To clean, wipe fixture with a soft cloth. Clean glass with a mild soap. Do not use abrasive materials such as scouring pads or powders, steel wool or abrasive paper.

ORDERING PARTS

Keep this sheet for future reference, and in case you need to order replacement parts. Parts for this fixture can be ordered from place of purchase. Be sure to use exact wording from illustration when ordering parts.