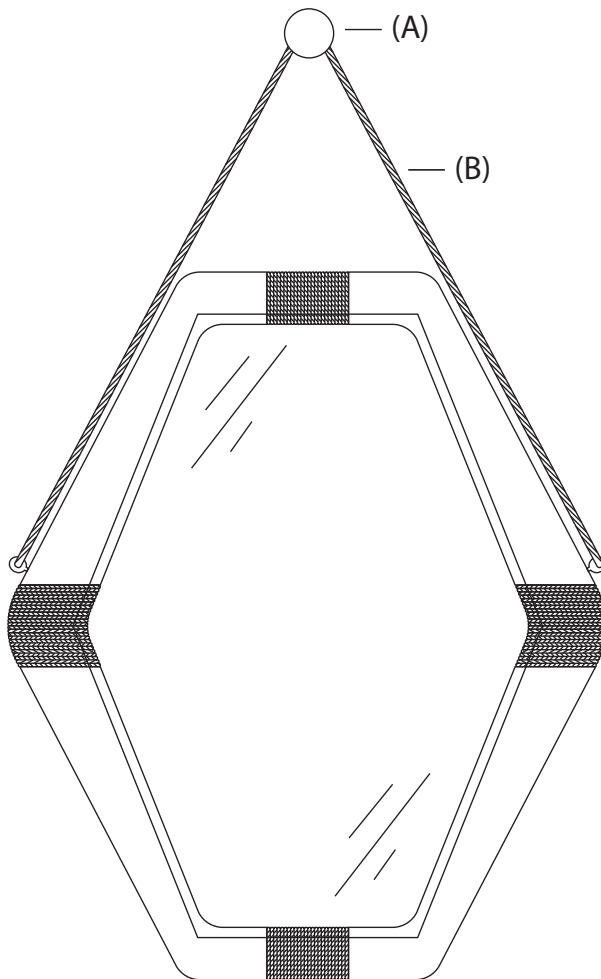


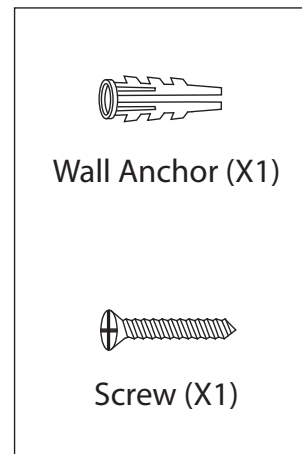
ASSEMBLY INSTRUCTIONS FOR YOUR

Jonathan Adler

WAUWINET MIRROR



Hardware Included:



ASSEMBLY INSTRUCTIONS:

1. Remove all parts from carton. Dispose of packing materials.
2. Determine desired location for mirror hanger (A). Use a pencil to lightly mark spot on wall.
3. Carefully drill hole at marked location. Make sure hole is large enough to accommodate wall anchor. Insert wall anchor into hole.
4. Thread screw into opening in wall anchor. Note: Do not thread screws all the way into wall anchor. Leave approximately 1/4" between the screw head and the wall.
5. Carefully slide the key hole on the back of mirror hanger (A) over the exposed screw head.
6. Place rope (B) over hanger (A) to suspend mirror in desired location on wall.

Caution: To clean, use a soft cloth only. Do not use any chemical or abrasive cleaners.