

MULTI - FACETED SHORT TABLE LAMP

ASSEMBLY INSTRUCTIONS

1. Remove all products from carton. Remove all packaging material from lamp.

2. Place base (D) on level surface.

3. Remove finial (A) from threaded nipple (C). Place center ring of shade spider (located inside shade (B)) onto threaded nipple (C). Thread finial (A) onto threaded nipple (C) to secure shade (B) to lamp.

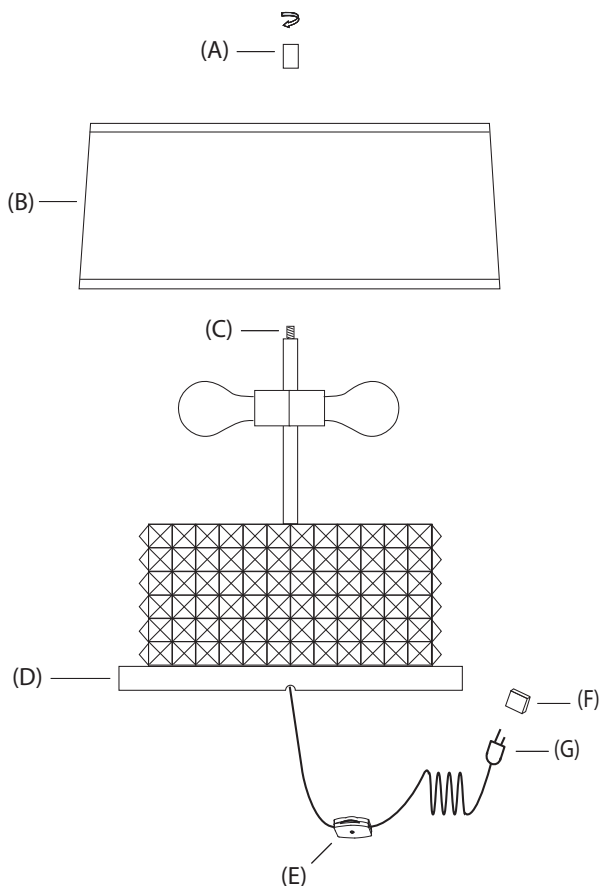
4. Install two (2) Type A, 60 watt maximum bulb into sockets.

5. Remove protective plastic (F) from electrical plug (G).

6. Insert electrical plug (G) lamp into wall outlet.

7. Turn lamp on / off by turning dial on rotary switch (E).

Care Instructions: To clean, use soft cloth only. Do not use any chemical or abrasive cleaners.



Note: Turn the power off (unplug from the wall outlet) before replacing the bulb, making sure the bulb has had sufficient time to cool down. Do not subject the lamp to any shock while lit as shattering of bulb may result.

IMPORTANT SAFETY INSTRUCTIONS

This portable lamp has a polarized plug (one blade is wider than the other) as a feature to reduce risk of electric shock, this plug will fit in a polarized outlet only one way. If it does not fit fully in the outlet, reverse the plug. If it still does not fit, contact a qualified electrician. Never use with an extension cord unless the plug can be fully inserted.

DO NOT ALTER THE PLUG.