

ASSEMBLY INSTRUCTIONS FOR YOUR

RODERICK
FLUSH MOUNT

IMPORTANT SAFETY INSTRUCTIONS:

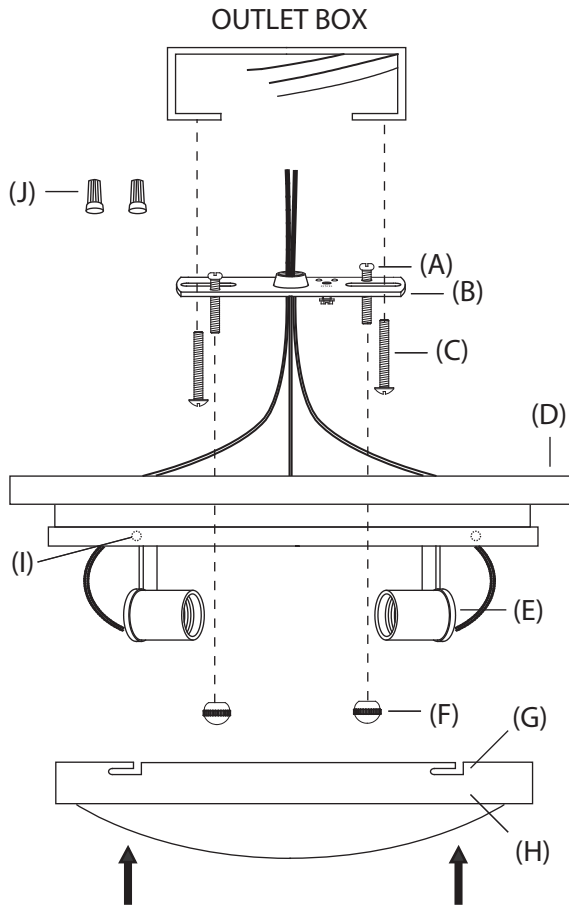
*These instructions are provided for your safety.

*It is very important that they are read completely before beginning the installation of your fixture.

***WE STRONGLY RECOMMEND INSTALLATION BY A LICENSED ELECTRICIAN.**

*Turn off power at switch before replacing bulbs, making sure fixture has had sufficient time to cool down.

*DO NOT subject the fixture to any shock while lit as shattering of bulbs may result.



ASSEMBLY INSTRUCTIONS:

1. SHUT OFF THE MAIN ELECTRICAL SUPPLY FROM THE MAIN FUSE BOX/ CIRCUIT BREAKER.
2. Remove all parts from carton. Do not throw away any parts.
3. Remove all packaging material from fixture.
4. Remove canopy (D) from shade by turning metal frame (H) so channels (G) slide off metal tabs (I). Set shade aside.
5. Remove cross bar (B) from canopy (D) by unthreading decorative nuts (F). Set decorative nuts (F) aside.
6. Attach cross bar (B) to ceiling outlet box using screws (C).
7. Lift canopy (D) to cross bar (B) and guide wiring from canopy (D) through center hole in cross bar (B). Make proper electrical connections as described in steps 8 - 10. A LICENSED ELECTRICIAN IS RECOMMENDED.
8. Attach ground wire from fixture (GREEN in color) to ground wire in outlet box (usually GREEN or COPPER in color). IT IS IMPERATIVE THAT THE OUTLET BOX IN YOUR HOME BE PROPERLY GROUNDED.
9. Connect the neutral wire from fixture (WHITE in color or RIBBED side of wire) to the neutral wire from the outlet box. Fasten wires together using wire nut (J) and tightly wrap connection with electrical tape.
10. Connect the hot wire from fixture (BLACK in color or SMOOTH side of wire) to the hot wire from the outlet box. Fasten wires together using wire nut (J) and tightly wrap connection with electrical tape.
11. Carefully push wires back into the outlet box.
12. Align holes in the top of canopy (D) with screws (A) on crossbar (B). Lift canopy (D) to ceiling so screws (A) protrude through holes in the top of canopy (D).
13. Attach decorative nuts (F) onto exposed threads of screws (A) to secure canopy (D) to crossbar (B).
14. Insert two (2) 60 W MAX B11 Torpedo bulbs (included) into sockets (E).
15. Lift shade to canopy (D). Align channels (G) in metal frame (H) with metal tabs (I), located inside canopy (D). Carefully rotate metal frame (H) so channels (G) slide over metal tabs (I), securing the shade to canopy (D).

To clean, use soft cloth only. Do not use any chemical or abrasive cleaners.