

## WALL MOUNTED SMALL BATH – Fresh & Wet

### General Notes

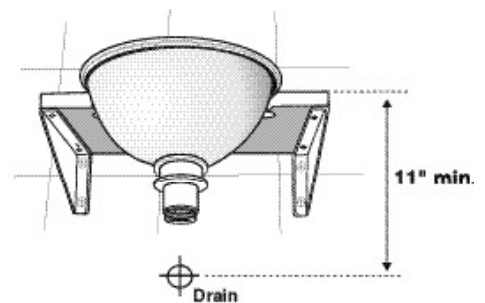
- Unpack the basin.  
Check the box thoroughly for all hardware and loose parts as follows:  
A. Basin      B. Hardware Bag  
C. Overflow Assembly
- Improper installation voids the warranty. Installed small bath units cannot be returned.
- If you experience any problems with your small bath unit, contact your dealer or Robern directly.  
**Robern • 701 N Wilson Ave • Bristol, PA 19007**  
**800 877 2376 • FAX 215 826 9633**



This model comes in 2 sizes: 16" & 24"

This model comes in 1 size: 18"

Fig. A



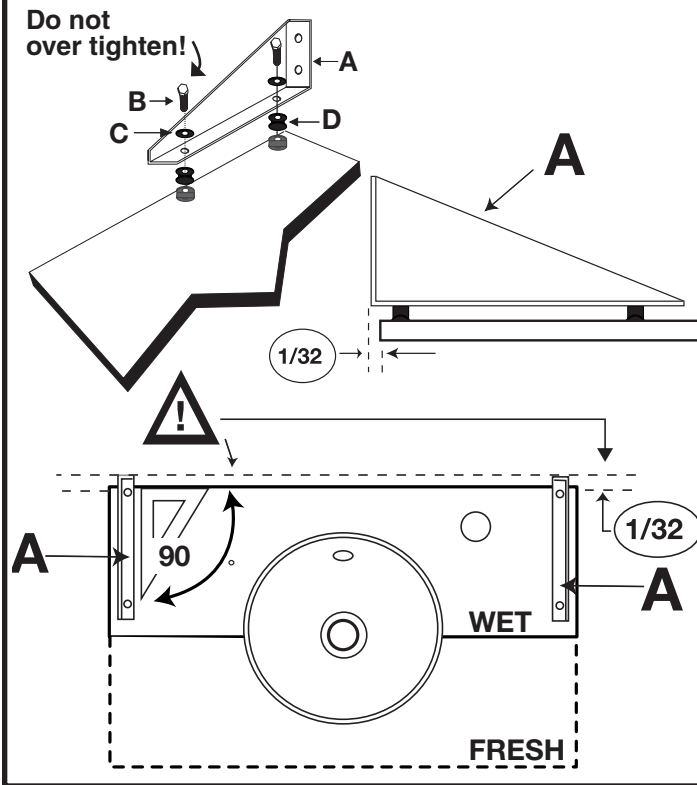
### 1. Selecting Location

Carefully select the basin location, keeping in mind the following:

- Drain location. Faucet height in relation to where mirror is or will be. See figure A.
- Side and below clearance for pipes and other bathroom object should be checked.

### 2. Assembly Side Brackets - See Bracket Assembly Parts on Page 2.

Do not over tighten!



### 3. Blocking

It is recommended that a 2x8 block be mounted in wall to support unit. Once blocking is in place, replace dry wall. See figure B and C.

Fig. B Samples of 2x8 Blocking from front view.

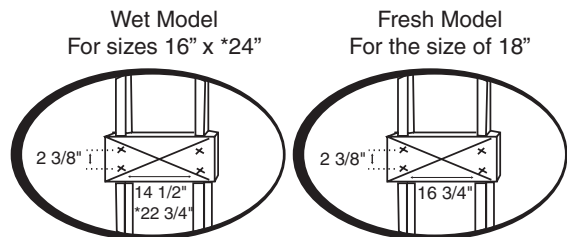
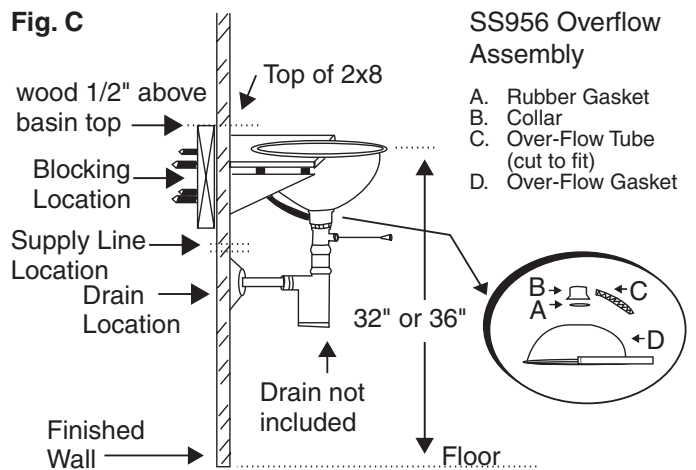


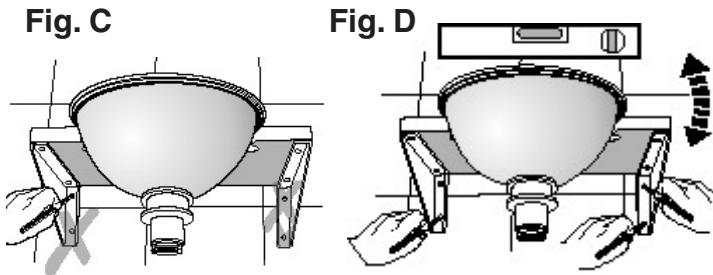
Fig. C



### 3. Wall Mounting Preparation

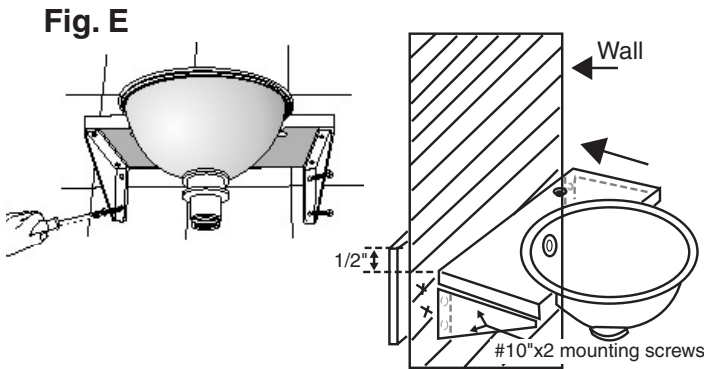
Basin comes with hardware supplied for mounting to wall.

1. Select the basin location and mark location for mounting screws as shown in Figure C.
2. Drill a 9/32 hole for mounting screws.
3. Once basin is level, as shown in Figure D, put in one screw as shown, mark the location of the additional 3 holes.
4. Remove the screw you had just placed into the first hole, remove basin away from wall, and drill the remaining 3 holes in the marked location.

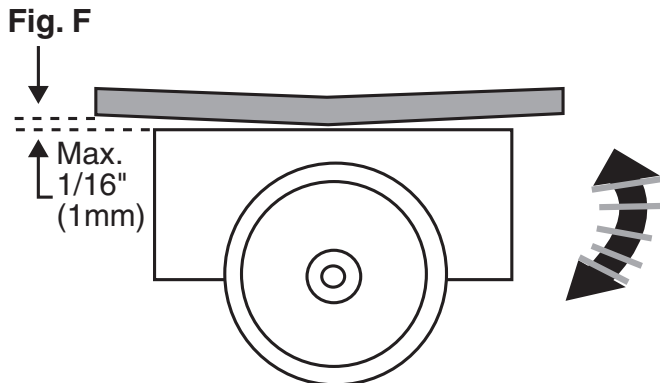


### 4. Basin Mounting and Check Level

1. Place basin against wall and align the brackets to the holes in the wall. Insert all screws with washers in the designated areas. See Figure E.
2. Snap grey dome caps over screw heads.

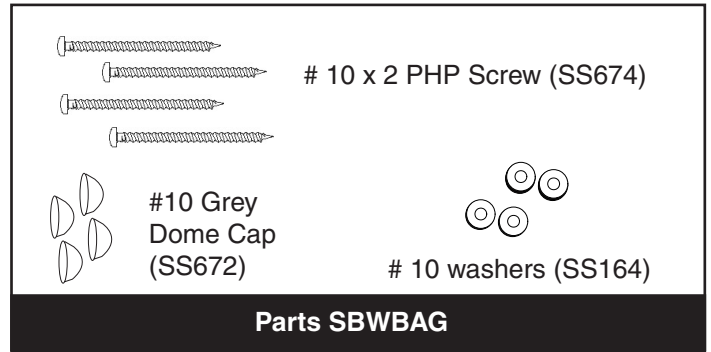
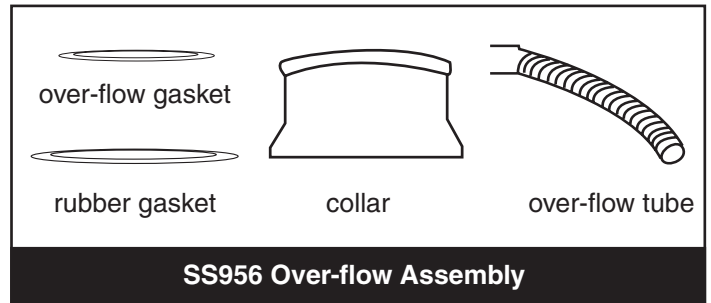
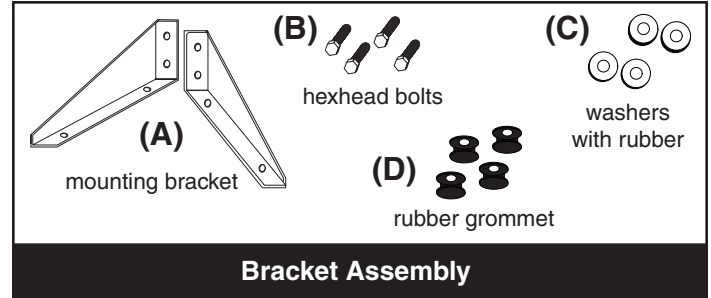


**Caution: Gap should not exceed 1/16" on either side. Shim in grout if necessary.**



### Checklist • Care & Maintenance

1. Cleaning
  - A. The basin is stainless steel and the counter top is glass. Use only a damp cloth to clean. Rubbing alcohol can be used for stubborn stains.
  - B. Use no abrasive cleansers on any part of the basin.



### Limited Warranty One Year Term

ROBERN warrants to the original purchaser that, it will, at its election repair, replace, or make appropriate adjustment to products made by this company shown to have significant defects in material or workmanship which are reported to ROBERN in writing within one (1) year from the date of delivery. ROBERN is not responsible for installation costs.

The warranty is void in the event the product is damaged in transit, or if damage or failure is caused by abuse, misuse, abnormal usage, faulty installation, damage in an accident, improper maintenance, or any repairs other than those authorized by ROBERN. At the expiration of the one year warranty period, ROBERN shall be under no further obligation under any warranty, expressed or implied, including the implied warranty of merchantability.

ROBERN shall not be liable for any consequential damages arising out of or in connection with the use or performance of its products. Some states do not allow limitations on how long an implied warranty lasts or do not allow the exclusion or limitation of incidental or consequential damages, so the above limitation or exclusion may not apply to you.

Any liability against ROBERN under any implied warranty, including the warranty of merchantability, is expressly limited to the terms of this warranty. Permission to return any merchandise under this warranty must be authorized by ROBERN and returned prepaid by the purchaser. Claims under this warranty should be sent directly to your dealer.