

## SS432 Image Mirror Installation

### Index

1. Model designations and dimensions
2. Installation Instructions
3. Matching lights
4. If you experience any problems with your mirror, please contact your dealer or Robern directly by calling our toll free customer service line between 8 a.m. and 4 p.m. E.S.T. **(1.800.877.2376)**  
Have the available serial number and model number.

#### Robern

701 N Wilson Ave • Bristol, PA 19007  
800 877 2376 • FAX 215 826 9633

### Limited Warranty One Year Term

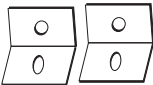
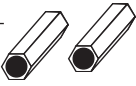
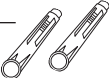


ROBERN warrants to the original purchaser that, it will, at its election repair, replace, or make appropriate adjustment to products made by this company shown to have significant defects in material or workmanship which are reported to ROBERN in writing within one (1) year from the date of delivery. ROBERN is not responsible for installation costs.

The warranty is void in the event the product is damaged in transit, or if damage or failure is caused by abuse, misuse, abnormal usage, faulty installation, damage in an accident, improper maintenance, or any repairs other than those authorized by ROBERN. At the expiration of the one year warranty period, ROBERN shall be under no further obligation under any warranty, expressed or implied, including the implied warranty of merchantability.

ROBERN shall not be liable for any consequential damages arising out of or in connection with the use or performance of its products. Some states do not allow limitations on how long an implied warranty lasts or do not allow the exclusion or limitation of incidental or consequential damages, so the above limitation or exclusion may not apply to you.

Any liability against ROBERN under any implied warranty, including the warranty of merchantability, is expressly limited to the terms of this warranty. Permission to return any merchandise under this warranty must be authorized by ROBERN and returned prepaid by the purchaser. Claims under this warranty should be sent directly to your dealer.

### Part List – SMB Bag

- A. (2) Angle Bracket - SS138 
- B. (2) Threaded standard - SS139 
- C. (2) Plastic Anchor - SS680 
- D. (2) #10 x 2" SMS wood screw - SS674 
- E. (2) 10-32 x 1/2" P.H.P. screw - SS205 

### Image Mirror Models

Model	Dimension	Fig.
SBM60M23RT	22 5/8" x 23 5/8"	a
SBM65M26RD	25 5/8" diameter	b
SBM60M45RT	42 5/8" x 23 5/8"	c
SBM75M16RT	15 3/4" x 29 1/2"	d

All Models have a 2" white frosted border.

Fig. a

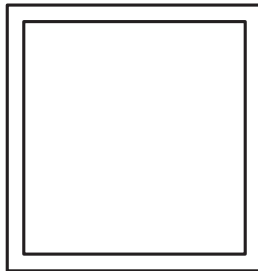


Fig. b

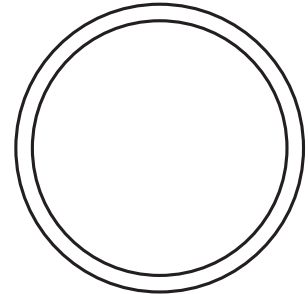


Fig. d

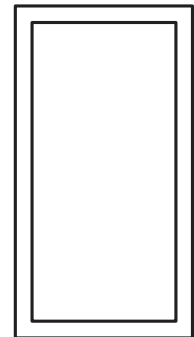
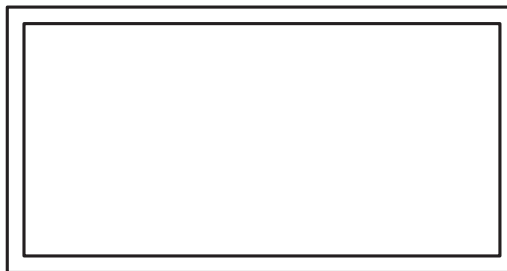
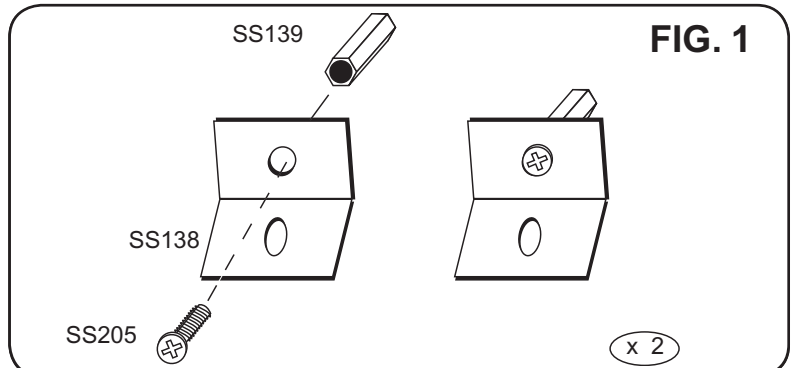


Fig. c



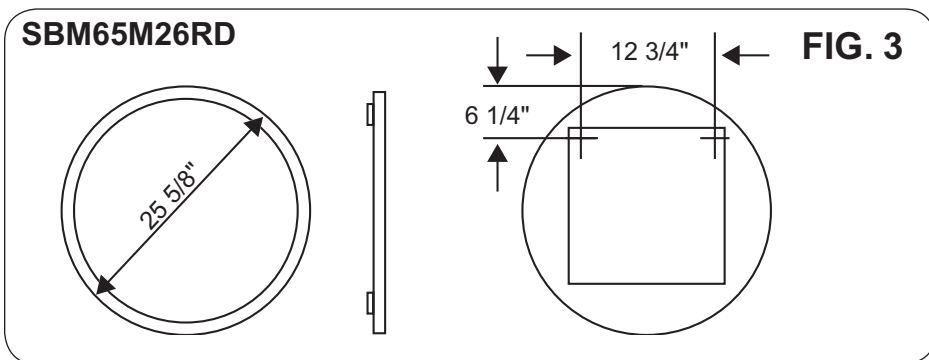
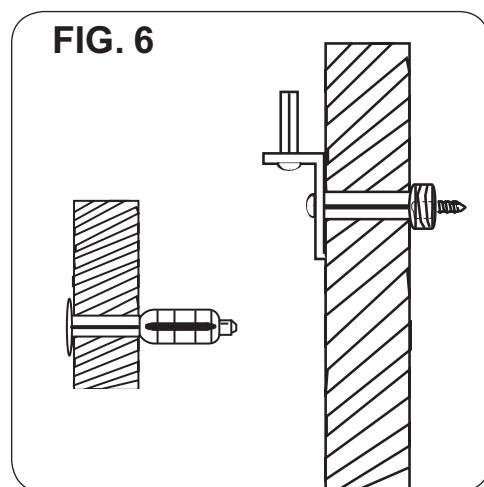
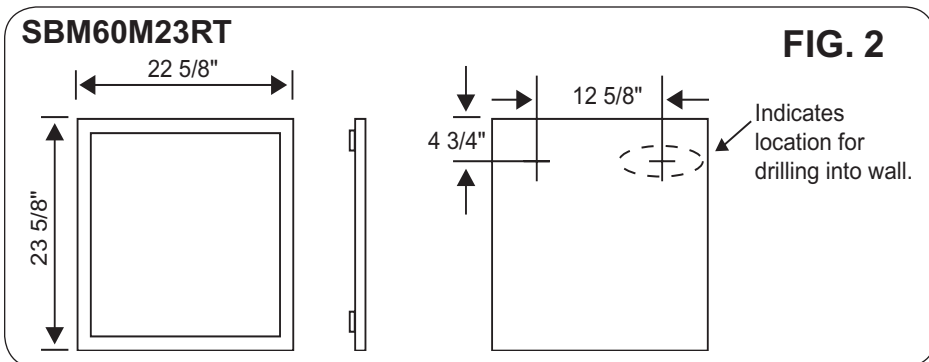
### INSTALLATION INSTRUCTIONS

1. Prepare the supporting clips as shown in figure 1, so that you end up with two finished wall clips.



# INSTALLATION INSTRUCTIONS continued

2. Ascertain support clip position for your model by following the guide below.
3. Once the placement of your mirror is finalized, use a 9/32" drill bit for the anchor hole. Care is needed to ensure level installation.
4. Place the plastic anchor into the drilled holes. Place previously built support clip as shown, tighten screw until flush with wall, then apply an additional 5 to 8 turns to engage the anchor correctly, as shown in figure 6.
5. Place mirror on to newly installed support clips.



## Matching Lights

These image mirrors are fully compatible to Robern Wall Mounted Halogens shown in figure 7.

See instruction sheet supplied with the light for mounting information.

**NOTE:** The transformer enclosure location will be in the center of the SMB mirror, not 22" from the bottom.

