

## FAIRHAVEN™ RECESS MOUNTED CABINET

### General Notes

1. Unpack the cabinet. Check the box thoroughly for all hardware and loose parts as follows:  
1. Cabinet    2. Shelving    3 Hardware Bag  
4. Crown Molding Assembly  
(Do not throw any parts away until install is complete.)
2. Doors are factory set and should not need adjustment. Do not remove doors. If doors need to be adjusted refer to figure F on page 4 for adjustment.
3. A square and plumb installation insures proper door operation. A square and level are necessary for proper installation.
4. Improper installation voids the warranty. Installed cabinets cannot be returned.
5. If you experience any problems with your Fairhaven™ cabinet contact your dealer or Robern directly.  
**Robern • 701 N Wilson Ave • Bristol, PA 19007**  
**800 877 2376 • FAX 215 826 9633**

### Limited Warranty One Year Term

ROBERN warrants to the original purchaser that, it will, at its election repair, replace, or make appropriate adjustment to products made by this company shown to have significant defects in material or workmanship which are reported to ROBERN in writing within one (1) year from the date of delivery. ROBERN is not responsible for installation costs.

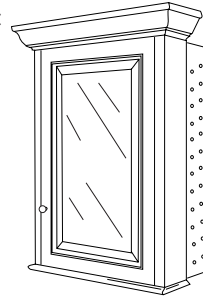
The warranty is void in the event the product is damaged in transit, or if damage or failure is caused by abuse, misuse, abnormal usage, faulty installation, damage in an accident, improper maintenance, or any repairs other than those authorized by ROBERN. At the expiration of the one year warranty period, ROBERN shall be under no further obligation under any warranty, expressed or implied, including the implied warranty of merchantability.

ROBERN shall not be liable for any consequential damages arising out of or in connection with the use or performance of its products. Some states do not allow limitations on how long an implied warranty lasts or do not allow the exclusion or limitation of incidental or consequential damages, so the above limitation or exclusion may not apply to you.

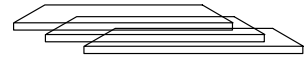
Any liability against ROBERN under any implied warranty, including the warranty of merchantability, is expressly limited to the terms of this warranty. Permission to return any merchandise under this warranty must be authorized by ROBERN and returned prepaid by the purchaser. Claims under this warranty should be sent directly to your dealer.

### Part List – Fairhaven™ Cabinet

1. MT20D6FWH Cabinet



2. Glass Shelves  
– 3 Shelves are provided with each cabinet



3. Hardware Bag • Contains the Following

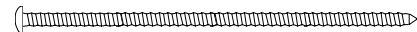
- A. 12 Clear Snap-In Shelf Clips



- B. 36 Shelf Hole Plugs



- C. 6 SMS/WOOD Screws #10 x 3"



- D. 4 SMS/Wood Screws #10 x 2"



- E. 4 #6 x 3/4 Leader Point Screws



- F. 10 Screw Head Caps

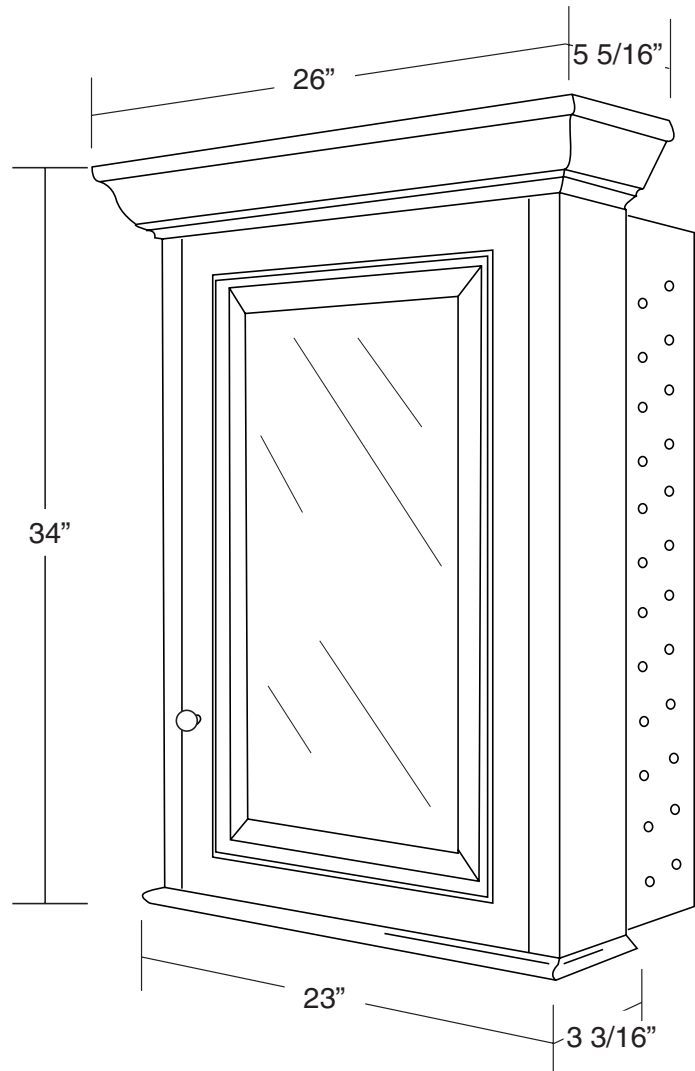


4. Crown Molding

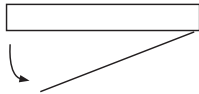


## Dimensions of Cabinet

### MT20D6FHW Fairhaven™ Recess Mounted Cabinet



Note: Cabinet is a right hand swing only.

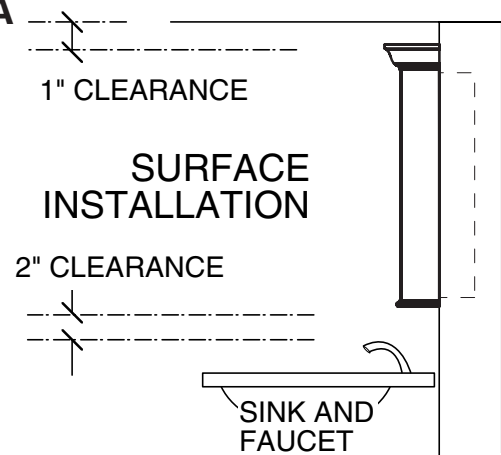


## 1. Selecting Location for Recess Mounting

Carefully select the cabinet location, keeping in mind the following:

- A. Clearance from the faucet must be determined.
- B. Overall size of cabinet must be considered.
- C. Clearance from ceiling.
- D. Clearance in wall for recess portion of cabinet.

Fig. A



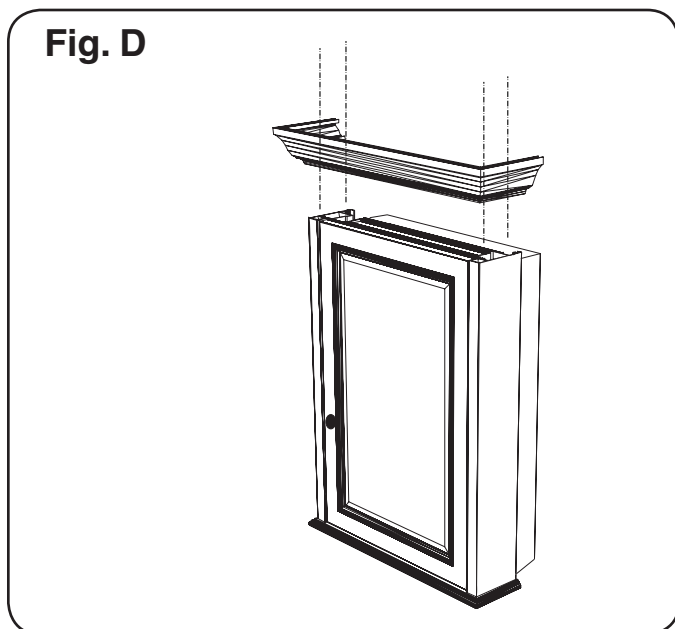
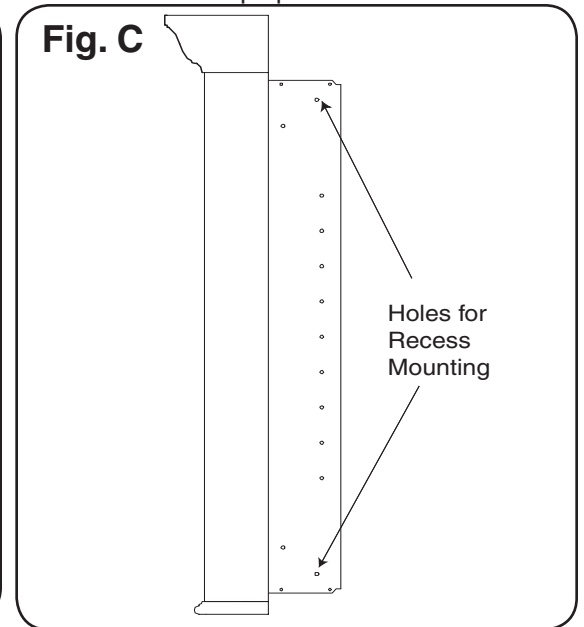
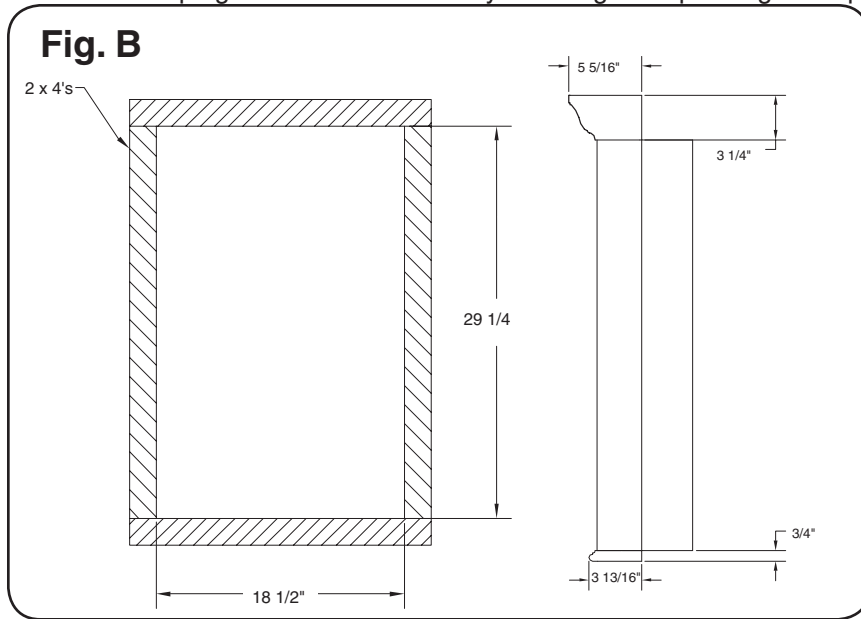
## 2. Recess Mount Cabinet

1. Determine Rough opening location for your unit.

NOTE: This unit will recess into your wall 4 inches. Proper support in opening is necessary. Surrounding opening with 2 x 4 is recommended.

2. Overall Rough opening is 18 1/2" x 29 1/4". (See figure B.)
3. Place entire assembled unit into rough opening. Make sure unit is level. Assistance from another individual may be necessary to support door during this step. Drive four screws, two per side as seen in figure C.
4. If Top Crown Molding needs to be installed or taken off and adjusted, use (4) #6 x 3/4" screws provided. (See figure D.)
5. Shelf Instruction:
  - A. Push the side of the shelf into the left or right clips.
  - B. Snap the shelf down into the opposite side. If the shelf is too tight, repeat the process from the other side. (See figure E on page 4.)

6. Install hole plugs in holes in cabinet by inserting and pushing in. Cap screw heads with caps provided.



# Checklist • Care & Maintenance

## 1. Doors

A. The doors are provided with a three way adjustment feature. Height, level, and fit to frame gasket can be adjusted. The use of a #2 Posidrive screwdriver is recommended.

If the door is out of level or too close to one side, adjust door left and right with screw 1 shown in figure F.

If door is too high or low, adjust door down or up with screw 2 shown in figure E.

If door opens stiffly, squeaks, or rubs against gasket, adjust door outwards with screw 3 as shown in figure F.

B. Check the swing of the door. The hinges are provided with a 110° black plastic stop so that they will not swing and hit frame.

## 2. Cleaning

A. The cabinet door and interior are constructed of mirror and painted aluminum. Use only a damp cloth to clean. Mirrors are damaged by the use of ammonia or vinegar based cleaning agents. Use rubbing alcohol for stubborn marks.

B. Use no abrasive cleansers on any part of the cabinet.

C. To clean metal door frame, use only a damp cloth.

