

ROBERN WMHA / B LIGHT FIXTURES - WALL MIRROR HALOGENS

GENERAL NOTES (LIGHT REFERED TO AS "WMH")

1. THE WMH LIGHTS ARE DESIGNED TO ATTACH TO THE WALL BEHIND ROBERN WALL MIRRORS MPM,MTM AND RF. REFER TO THE INSTRUCTIONS FOR THESE PRODUCTS , MPM/MTM-FORM SS477, RF-FORM SS516.
2. IF YOU EXPERIENCE ANY PROBLEMS WITH YOUR LIGHTS CONTACT YOUR DEALER OR ROBERN DIRECTLY. ROBERN, INC. • P.O. Box 2145 • BRISTOL, PA 19007 215.826.9800 • 800.877.2376 • FAX 215.826.9633
3. THE WMH LIGHT FIXTURES WILL ACCEPT UP TO 50 WATT BULBS. WMH-A USE TYPE JC BULBS, WMH-B OR C USE MR-16 BULBS W/ COVER GLASS.
4. BULBS ARE NOT SUPPLIED WITH FIXTURES. BULBS ARE AVAILABLE FROM MOST HARDWARE STORES, ELECTRICAL SUPPLY HOUSES OR VIA MAIL ORDER FROM ROBERN @ 800.488.BATH. FIXTURES UL LISTED FOR DAMP LOCATIONS.
5. IT IS SUGGESTED THAT THE FIXTURES BE USED WITH A STANDARD DIMMER TO CONTROL THE VERY HIGH LIGHT LEVELS THESE FIXTURES CAN PRODUCE.
6. THESE FIXTURES ADDS 2" TO THE OVERALL HEIGHT OF A WALL MIRROR INSTALLATION. LAYOUT OF THE LIGHTS OVER THE MIRROR IS UP TO THE INSTALLER. SUGGESTED LAYOUTS ARE PROVIDED ON PAGE 2.

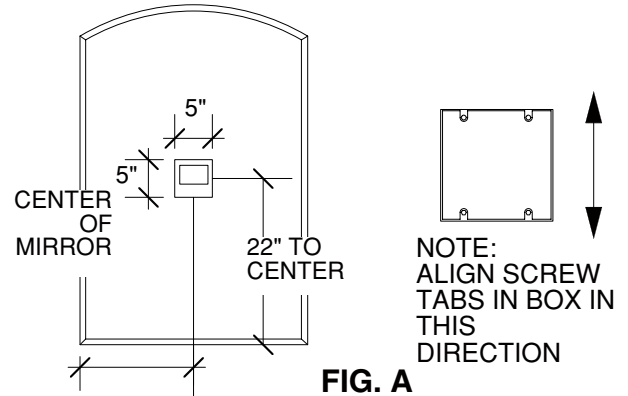
INSTALLING THE TRANSFORMER ENCLOSURE (FIG. A.)

1. THE TRANSFORMER ENCLOSURE MUST BE RECESSED INTO THE WALL BEHIND THE WALL MIRROR. THE BOX REQUIRES AN OPENING 5" X 5" X 2 1/4" DEEP.

NOTE: THE FRONT OF THE BOX MUST BE FLUSH WITH THE FINISHED WALL SO THAT THE WIRING COMPARTMENT FOR THE FIXTURES IS ACCESSABLE.

NOTE: THE TABS ON THE ENCLOSURE / JUNCTION BOX MUST BE ORIENTED AS SHOWN.

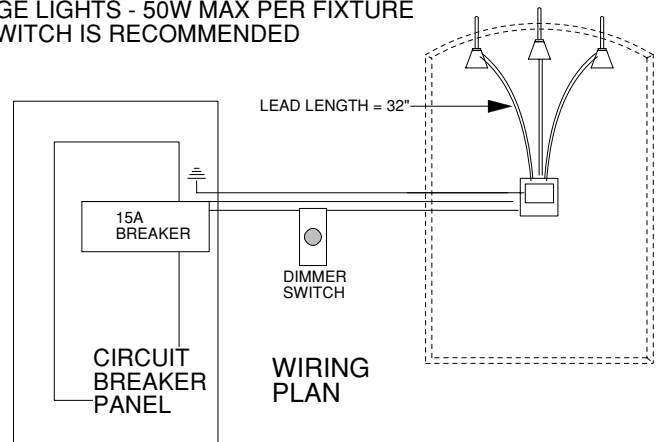
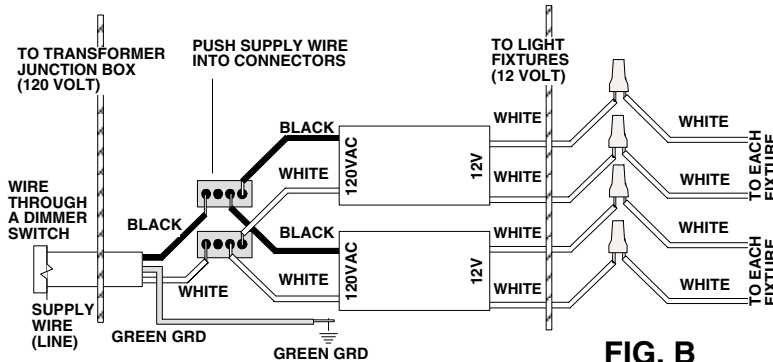
NOTE: FOR SMB MIRRORS, THE TRANSFORMER ENCLOSURE IS CENTERED IN MIRROR.



ELECTRICAL HOOK UP (FIG. B.)

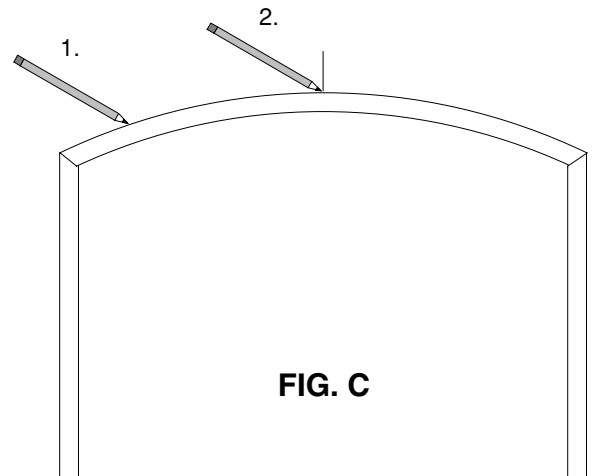
FIXTURE WIRING DETAIL
2 LIGHT /TRANSFORMER
EXAMPLE

WMH • USE A 120VAC 15A CIRCUIT
2 OR 3 LOW VOLTAGE LIGHTS - 50W MAX PER FIXTURE
NOTE: A DIMMER SWITCH IS RECOMMENDED

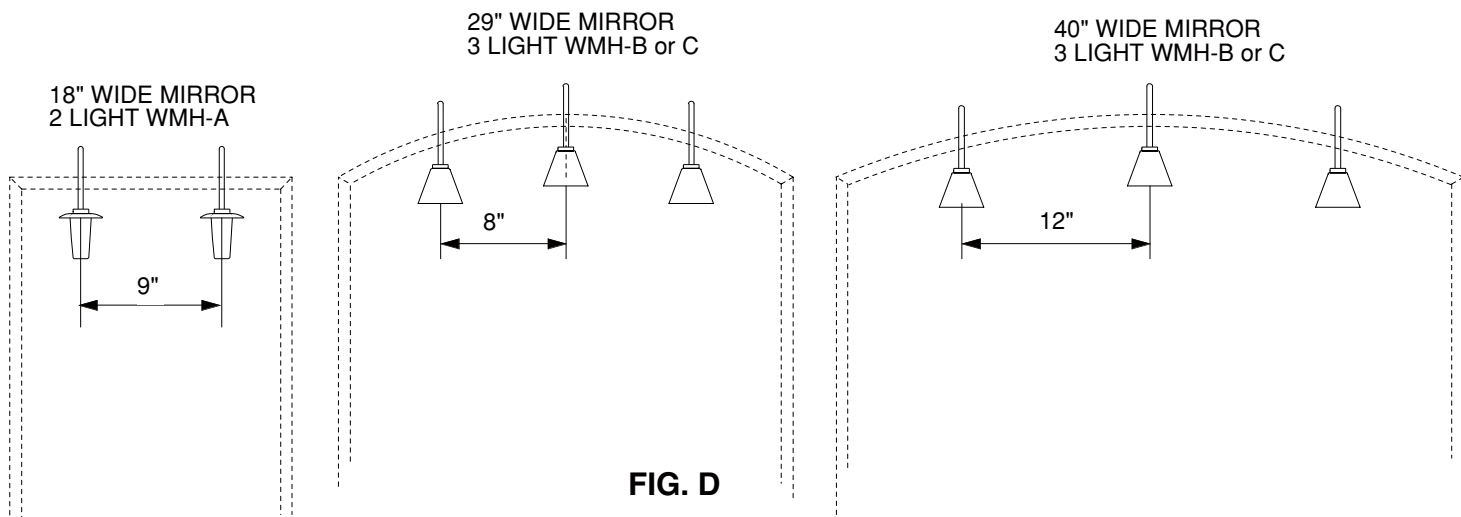


INSTALLING THE LIGHT FIXTURES - MIRROR (FIG. C.)

1. THE WALL MIRROR SHOULD BE TEST FITTED TO THE WALL AND A PENCIL LINE STRUCK ACROSS THE TOP OF THE MIRROR.
2. THE CENTER OF THE MIRROR MUST BE MARKED.
3. REMOVE THE MIRROR AND STORE IN A SAFE PLACE.
4. SEE PAGE 2 FOR LAYOUT LOCATIONS FOR LIGHTS.
5. THE BULBS FIT TIGHTLY IN THE SOCKETS. USE A VERY SLIGHT TWIST WHILE PUSHING THE BULB IN FIRMLY.



INSTALLING THE WMH LIGHTS - SUGGESTED LAYOUTS (FIG. D.)



INSTALLING THE WMH FIXTURES (FIG. E. & F.)

1. MAKE A HORIZONTAL LINE 2 3/4" DOWN FROM THE TOP MARK LINE OF THE MIRROR AT THE LOCATIONS YOU HAVE CHOSEN FOR THE FIXTURES. FIG. E.
2. ALIGN THE BOTTOM OF THE FIXTURE MOUNTING PLATE WITH THE LINES MADE AT THE 2 3/4" MARK.
3. ATTACH THE FIXTURES TO THE WALL WITH THE SCREWS AND ANCHORS PROVIDED.
4. WIRE THE FIXTURES TO THE TRANSFORMER AS SHOWN IN FIGURE B. PLACE WIRE BUSHINGS OVER WIRE WHEN PLACING COVER PLATE OVER ENCLOSURE. FIG. F.

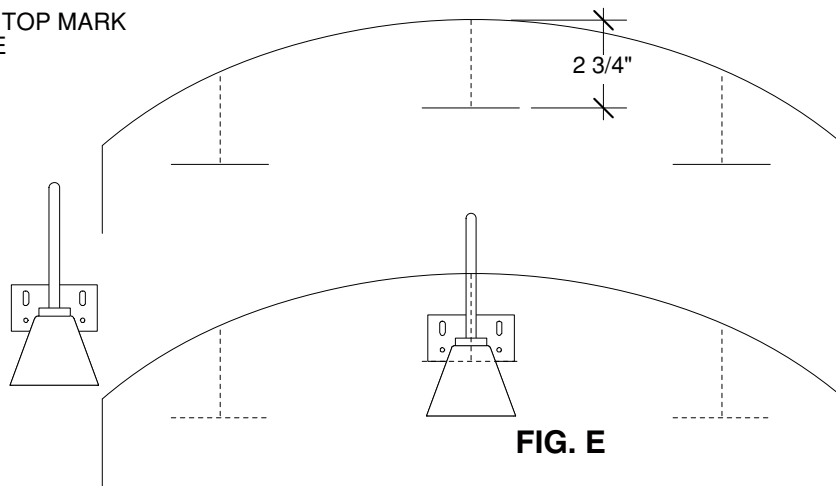
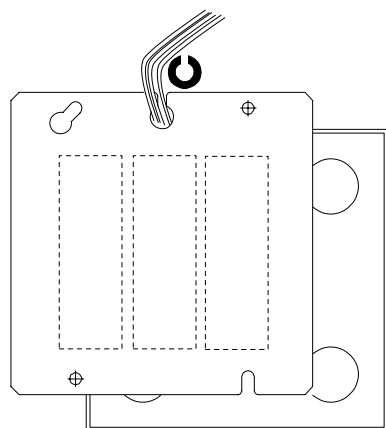


FIG. F



Limited Warranty One Year Term

Robern warrants to the original purchaser that, it will, at its election repair, replace, or make appropriate adjustment to products made by this company shown to have significant defects in material or workmanship which are reported to Robern in writing within one (1) year from the date of delivery. Robern is not responsible for installation costs.

The warranty time period for operating components including door hinges and opening devices to the original owner extends beyond the one year term.

The warranty is void in the event the product is damaged in transit, or if damage or failure is caused by abuse, misuse, abnormal usage, faulty installation, damage in an accident, improper maintenance, or any repairs other than those authorized by Robern. At the expiration of the one year warranty period, Robern shall be under no further obligation under any warranty, expressed or implied, including the implied warranty of merchantability.

Robern shall not be liable for any consequential damages arising out of or in connection with the use or performance of its products, some states do not allow limitations on how long an implied warranty lasts or do not allow the exclusion or limitation of incidental or consequential damages, so the above limitation or exclusion may not apply to you.

Any liability against Robern under any implied warranty, including the warranty of merchantability, is expressly limited to the terms of this warranty.

Permission to return any merchandise under this warranty must be authorized by Robern and returned prepaid by the purchaser.

Claims under this warranty should be sent directly to your dealer.

PARTS (CHECK BOX LABEL FOR QTY & MODEL)

1. 2 OR 3 WMH-A CHROME AND GLASS
OR
2 OR 3 WMH-B ALL CHROME FIXTURES
OR
2 OR 3 WMH-C COLOR SHADE FIXTURES

2. TRANSFORMER ENCLOSURE

3. HARDWARE BAG

6 #8 X 1" SCREWS

6 PLASTIC ANCHORS

1 WIRE BUSHING

6 GREY WIRE NUTS

1 GREEN GROUND SCREW

