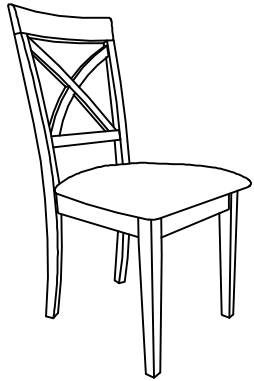


Riverside

FURNITURE

email: info@riverside-furniture.com



ASSEMBLY INSTRUCTION







Model : X -Back Dining Chair

Read instruction carefully. Remove all wrapping material, staples and straps from the carton. See Hardware and Furniture Part List for guidance. Be sure you have all parts before you start assembling. Place all wooden furniture part on a clean and flat soft surface, such as carpet or rug to prevent from being scratched.

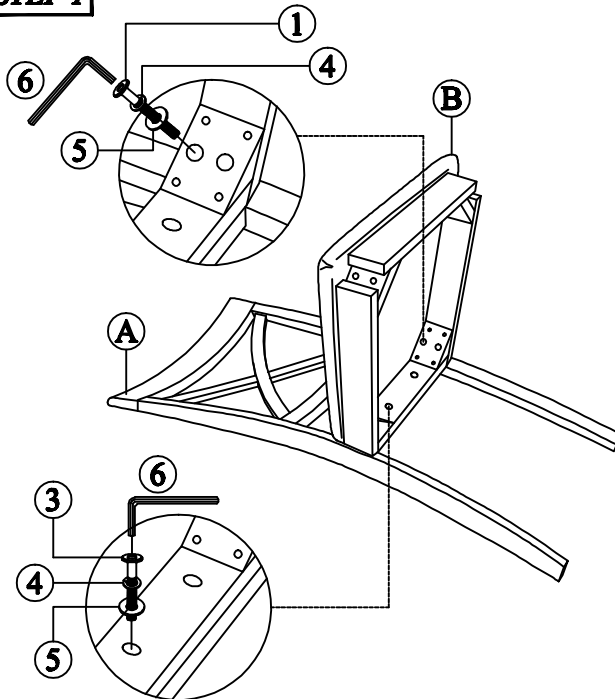
CAUTION : KEEP ALL HARDWARE PARTS OUT OF REACH OF CHILDREN.

Made in Malaysia

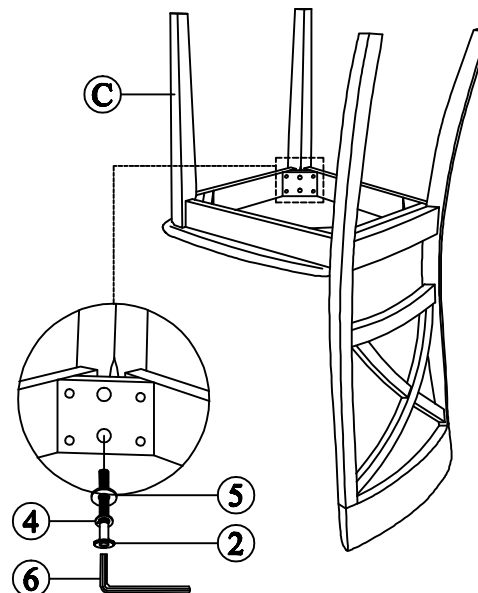
NO	PARTS LIST (For two chairs)	QTY
A	Back Rest	2 PCS
B	Seat Frame	2 PCS
C	Front Leg (L & R)	4 PCS

NO	HARDWARE LIST (for two chairs)	QTY
1	JCBC SCREW M6 x 80mm 	8 PCS
2	JCBC SCREW M6 x 60mm 	8 PCS
3	JCBC SCREW M6 x 40mm 	4 PCS
4	SPRING WASHER M6 x 13 	20 PCS
5	FLAT WASHER 1/4" 	20 PCS
6	ALLEN KEY M4 	1 PC

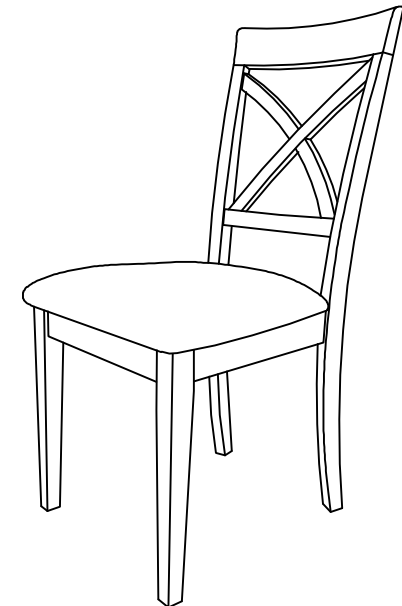
STEP 1



STEP 2



STEP 3



* NOTE *

DO NOT TIGHTEN ALL THE SCREWS UNTIL THE CHAIR HAS BEEN PUT ON A FLAT SURFACE TO ADJUST & LEVEL ALL THE LEGS SO THAT THEY DO NOT WOBBLE, ONCE ADJUSTED THEN TIGHTEN ALL THE SCREWS.