

1244-B-S  
Computer Desk

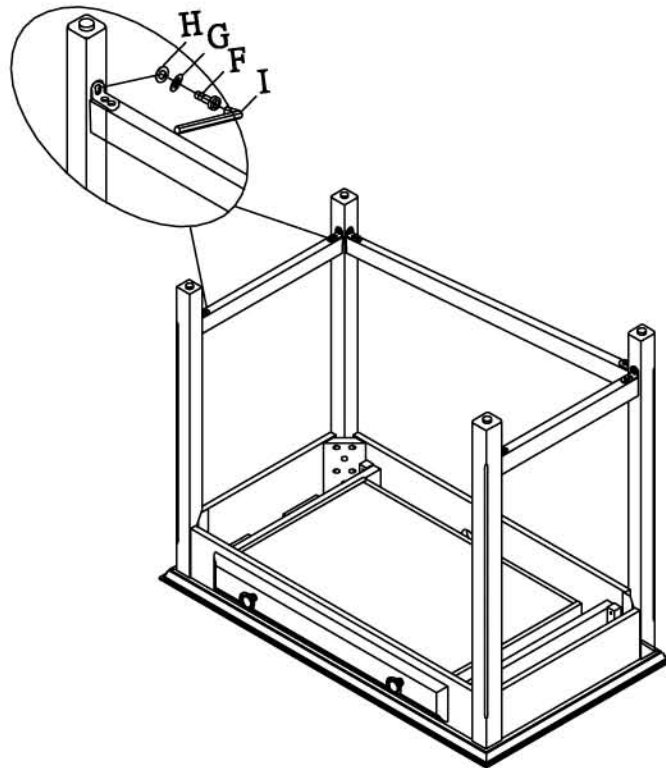
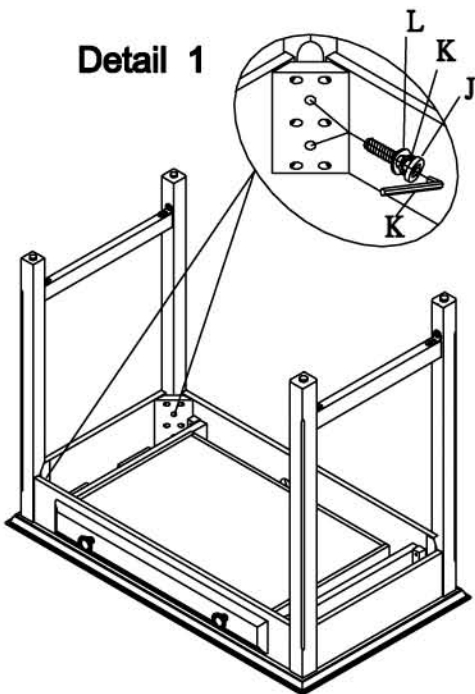


### Parts List

Desk Top	Front Legs	Back Legs	Side Stretchers	Back Stretcher
1 pc	2 pcs	2 pcs	2 pcs	1 pc
M1/4" x 1/2" Allen Head Bolt  6 pcs	M1/4" Spring Washer  6 pcs	M1/4" x 16mm Flat Washer  6 pcs	4mm Allen Wrench  1 pc	M5/16" x 2" Allen Head Bolt  8 pcs
M5/16" Spring Washer  8 pcs	M5/16" x 16mm Flat Washer  8 pcs	5mm Allen Wrench  1 pc	Be sure to check all packing material carefully for small parts, which may have come loose inside the carton during shipment.	

### Detail 2

### Detail 1



### ASSEMBLY STEPS :

1. Place the Desk Top upside down on a clean, soft surface.
2. Assemble the Front Legs (B) and Back Legs (C) to the corners of the aprons as shown using the 2" long Bolts (J), Spring Washers (K) and Flat Washers (L). Do not fully tighten until after next steps.
3. Assemble the Side Stretchers (D) and Back Stretcher (E) between the Legs. Connect using the 1/2" Long Bolts (F), Spring Washers (G) and Flat Washers (H).
4. Tighten all Bolts using the appropriate Allen Wrenches (I or M).
5. Carefully set the Desk upright.