

Riverside

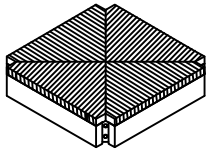
FURNITURE

email: info@riverside-furniture.com

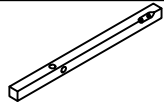
MADE IN VIETNAM

Component list

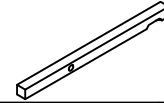
1 Seat 1 pc



2 Right leg 2 pcs



3 Left leg 2 pcs

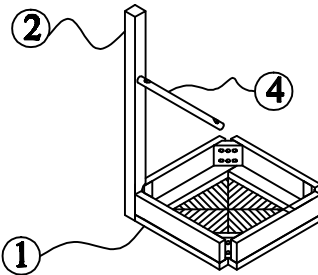


4 Round pole 4 pcs

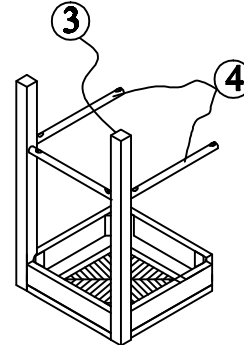


ASSEMBLY INSTRUCTION (STOOL 1219 & 1229)

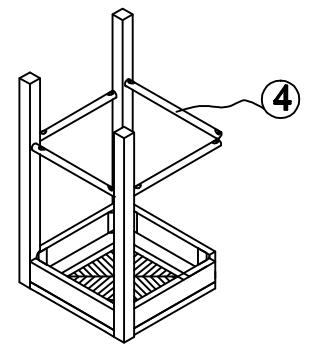
Step 1



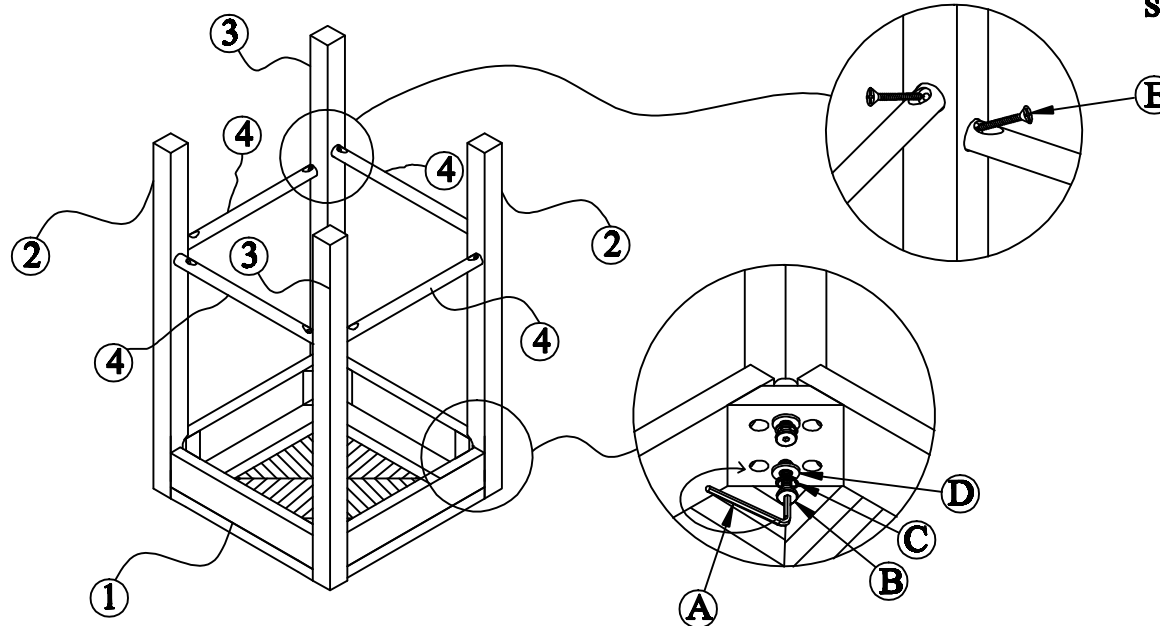
Step 2



Step 3



Step 4



Hardware

No.	DRAWING	SIZE	Qty
A		4MM	1 pc
B		Ø1/4" x 2"	8 pcs
C		Ø1/4" x 10D	8 pcs
D		Ø1/4" x 16D	8 pcs
E		Ø8 x 1-1/2"	8 pcs