

Components and Hardware List

M1/4" x 2"
Allen Head Bolt



(A) 8 pcs.

1/4" Spring
Washer



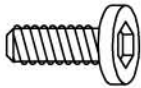
(B) 12 pcs.

1/4" Flat Washer



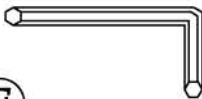
(C) 12 pcs.

M1/4" x 3/4"
Allen Head Bolt



(D) 4 pcs.

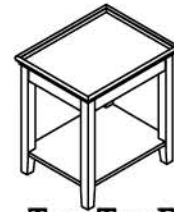
4mm Allen Wrench



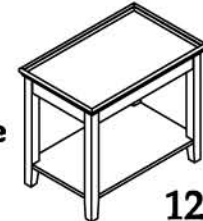
(E) 1 pc.



1204
Tray Top Cocktail Table



1207
Tray Top End Table



1214
Tray Top Sofa Table

Leg



(F) 4 pcs.

Table Top



(G) 1 pc.

Shelf



(H) 1 pc.

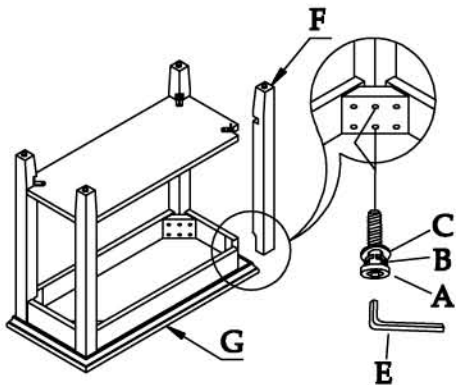
Be sure to check all packing material carefully for small parts, which may have come loose inside the carton during shipment.

Step 1: Place the Table Top (G), upside down on a soft non-abrasive surface, such as a blanket or carpet.

Step 2: Attach the LEGS (F) to the underneath side of the Table Top with the 2" long Allen-Head Bolts (A), Spring Washers (B) and Flat Washers (C). Do not fully tighten bolts until after next step.

Step 3: Attach the Shelf (H) to the LEGS using the 3/4" long Allen-Head Bolts (D) and same washers as used in previous step. Tighten all bolts using the Allen Wrench (E).

Step 2



Step 3

