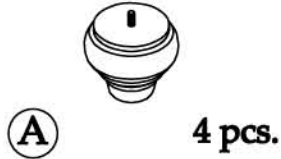
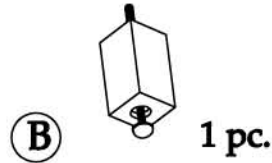


Parts List

Bun Foot



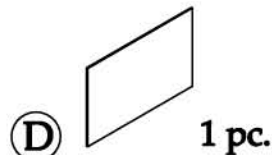
Support Leg



Anti-Tipping Restraint



Wood Door Panel

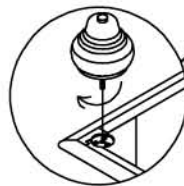


Be sure to check all packing material carefully for small parts, which may have come loose inside the carton during shipment.

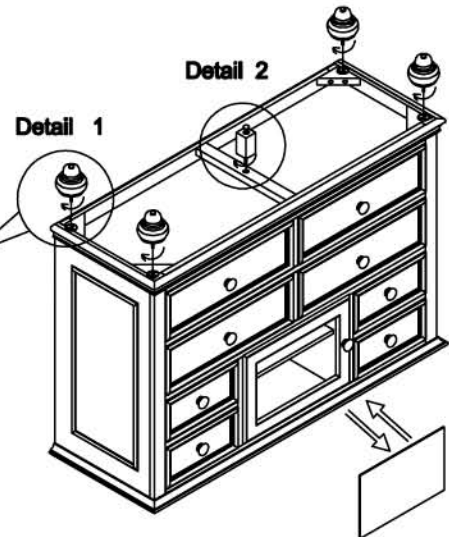
ASSEMBLY STEPS :

1. Remove the Bun Feet from the top drawer of the Dresser.
2. Place the Dresser upside down on a clean and soft surface.
3. Assemble the four Bun Feet on the bottom corners. Assemble the Support Leg underneath the middle. Carefully turn the Dresser back upright.

Detail 1



Detail 2



1163**
Entertainment
Dresser

**Use a letter designator to indicate a specific color.

Bun Feet are packed inside the top drawer



In homes where small children may be present, the Consumer Product Safety Commission (CPSC) recommends that steps be taken for certain furniture items to prevent or minimize the risk of tipover. This furniture is equipped with Anti-Tipping Restraint Hardware, to anchor the cabinet to the wall, to help minimize this risk if used. Please refer to the installation instructions on the Restraint Hardware package for proper installation.

A Wood Door Panel (D) is also supplied with this Dresser that can be interchanged with the Glass in the Door if desired. Remove the retainer by peeling out of the groove in the back of the door. Exchange panels and firmly press the retainer back into the grooves around the door.

