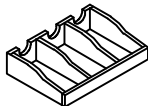
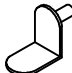
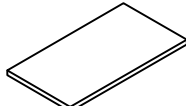


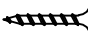
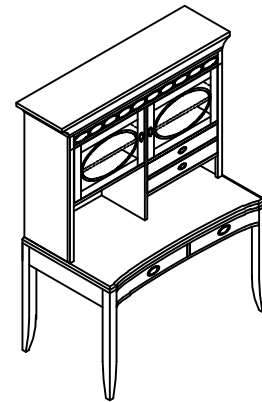


### Components and Hardware List

<b>Charger Storage box</b>  <b>(A)</b> 1 pc	<b>Shelf Pin</b>  <b>(B)</b> 8 pcs	<b>Shelf Panel</b>  <b>(C)</b> 2 pcs	<b>Wood Screw</b>  <b>(D)</b> 2 pcs
<b>Front Mounting Bracket</b>  <b>(E)</b> 2 pcs	<b>3 x 16mm Wood Screw</b>  <b>(F)</b> 12 pcs	<p>Be sure to check all packing material carefully for small parts, which may have come loose inside the carton during shipment.</p>	



#10058 Laptop Desk-Tall Deck  
#10056 Laptop Desk

**Step 1:** Connect the Hutch to the Desk at the back using the Metal Plates and Wood Screws (D).

**Step 2:** Install the Front Mounting Brackets (E) to Left & Right End Panels using the Wood Screws (F) and your Phillips Screwdriver.

**Step 3:** Insert shelf pins (B) into holes in side panels at desired locations, then place Wood adjustable shelf (C) on Shelf pins.

