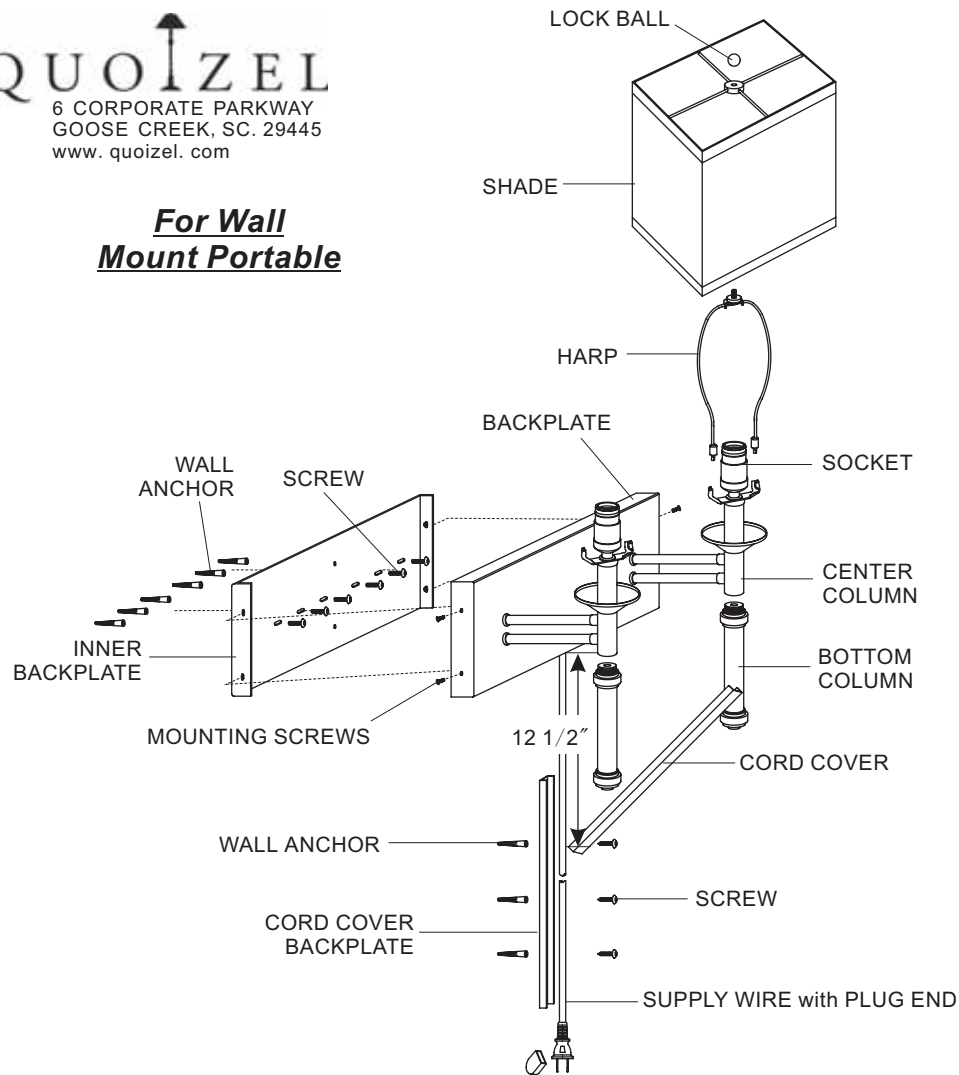


For Wall Mount Portable



INSTALLATION INSTRUCTIONS

1. Before beginning the installation, carefully unpack and identify all parts, referring to illustration.
2. Turn the electrical power to installation point OFF at circuit breaker.
3. Put the INNER BACKPLATE onto your desired hanging height and use pencil make six marks through the elliptical holes, which are used for (6) WALL ANCHORS.
4. Remove the INNER BACKPLATE and Using a portable hand drill with a 3/16" bit, drill the (6) holes from the marks in the wall surface for the WALL ANCHORS. Locate the WALL ANCHORS and place into the holes in the wall surface.
5. Place the INNER BACKPLATE back onto the wall surface and align the elliptical holes with the WALL ANCHORS. Thread the SCREWS into the WALL ANCHORS and tighten until snug to secure the INNER BACKPLATE.

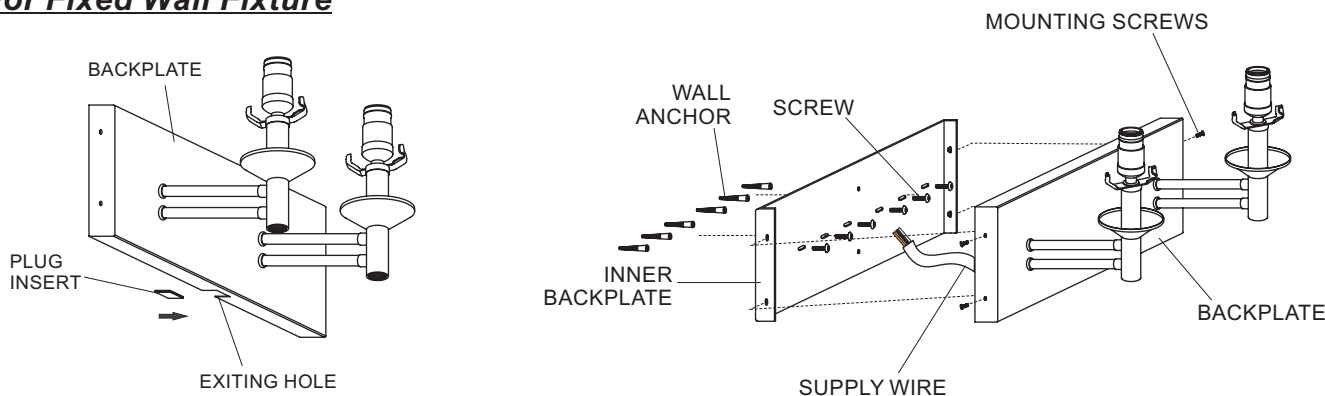
For Wall Mount Portable

- a. Position the fixture over the INNER BACKPLATE. Align the HOLES on the edge of the BACKPLATE with the mounting holes on the folded edge of the INNER BACKPLATE. Use screw driver, thread the MOUNTING SCREWS into the mounting holes on the folded edge of the INNER BACKPLATE. Hand tighten until snug to secure the BACKPLATE.
- b. Locate the CORD COVER BACKPLATES. To position the CORD COVER BACKPLATE measure approx. 12 1/2" inches down from the middle point of the bottom edge of the BACKPLATE. Mark the points from the holes on the CORD COVER BACKPLATE for the WALL ANCHORS. Using a portable hand drill with a 3/16" bit, drill the holes from the marks in the wall surface for the WALL ANCHORS. Locate the WALL ANCHORS and place into the holes in the wall surface.
- c. Proceed to place the CORD COVER BACKPLATE and match the holes with the WALL ANCHORS. Secure it by threading the SCREWS into the WALL ANCHORS. Hand tighten until snug. Position the SUPPLY WIRE inside of the CORD COVER BACKPLATE so that it will not be pinched. Locate the CORD COVER and secure it to the CORD COVER BACKPLATE by pressing it over the BACKPLATE.

For Fixed Wall Fixture

- a. Pull out the SUPPLY WIRE with PLUG END and cut down it, left 6" cord for the Wire Connection.
- b. Insert PLUG INSERT to cover the EXITING HOLE as shown in illustration.
- c. **MAKING THE CONNECTIONS:**
 Using wire connectors (not supplied) connect the HOUSE GROUND WIRE to the FIXTURE GROUND WIRE; connect the HOUSE WHITE WIRE to the FIXTURE SUPPLY WIRE (WHITE or RIBBED SIDE); connect the HOUSE BLACK (or RED) WIRE to the FIXTURE SUPPLY WIRE (BLACK or SMOOTH SIDE). Wrap each connection with approved electrical tape.
- d. Position the fixture over the INNER BACKPLATE. Align the HOLES on the edge of the BACKPLATE with the mounting holes on the folded edge of the INNER BACKPLATE. Use screw driver, thread the MOUNTING SCREWS into the mounting holes on the folded edge of the INNER BACKPLATE. Hand tighten until snug to secure the BACKPLATE.

For Fixed Wall Fixture



6. Locate the HARP by pressing the bottom ends of the HARP into the HARP CLIPS. Proceed to place the SHADE over the top end of the HARP and thread the LOCK BALL onto the HARP to secure the SHADE. Hand tighten until snug.
7. Install the correct bulbs referring to the fixture markings and/or labels for maximum wattage.
8. Restore power to the installation point ON. Retain this sheet for future reference.

IF IN DOUBT ABOUT ELECTRICAL INSTALLATION, CONSULT A LICENSED ELECTRICIAN!