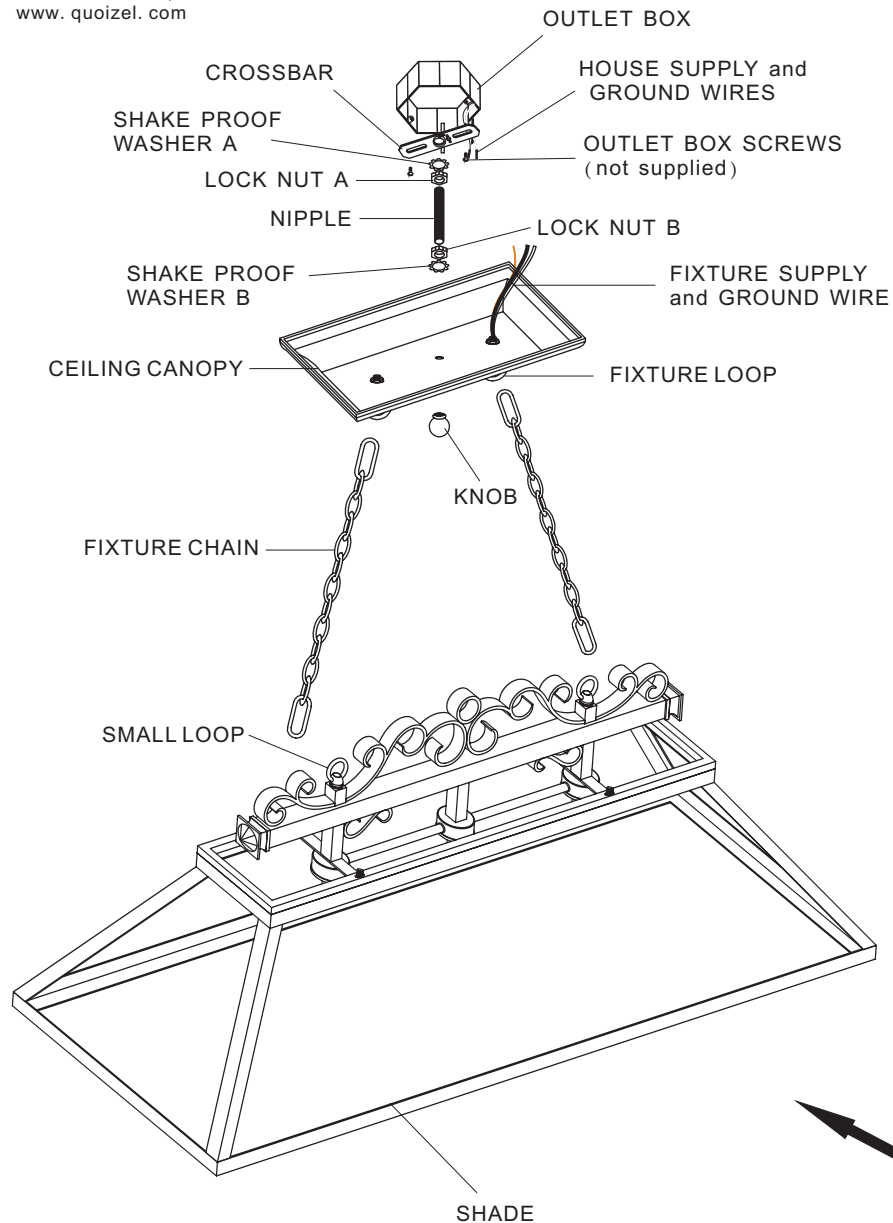
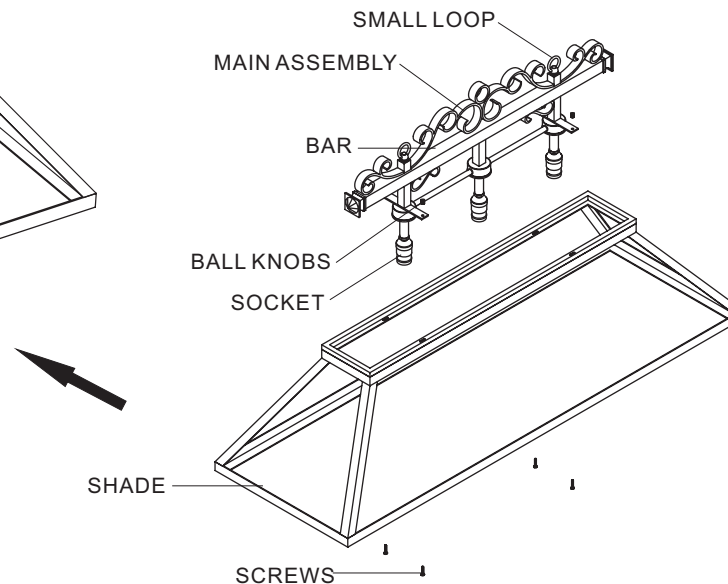


**ASSEMBLY / INSTALLATION INSTRUCTIONS**

**FIGURE 2**



**FIGURE 1**



1. Before beginning the installation, carefully unpack and identify all parts, referring to the illustration.
2. Turn power to the installation point OFF at circuit breaker.
3. (Refer to FIGURE 1) Locate MAIN ASSEMBLY inside of SHADE and match the holes on BARS with holes on the top edge of SHADE. Place the SCREWS through the holes on the BARS and the SHADE from the bottom up. Install the BALL KNOBS onto the SCREWS and hand tighten until snug to secure MAIN ASSEMBLY and SHADE together.
4. **FOR CANADIAN INSTALLATION-PLEASE REFER TO PAGE 2:**  
(Refer to FIGURE 1) Fasten the CROSSBAR to the OUTLET BOX with (2) OUTLET BOX SCREWS(not supplied). Proceed to thread LOCK NUT A and SHAKE PROOF WASHER A onto the top end of NIPPLE. Thread NIPPLE into the center of CROSSBAR. Locate the LOCK NUT B onto the bottom end of the NIPPLE. Tighten LOCK NUT A against CROSSBAR with pliers until snug.
5. Locate FIXTURE CHAIN and determine desired hanging height of fixture. Adjust chain by removing links if needed. Proceed to attach the ends of FIXTURE CHAINS onto FIXTURE LOOPS and SMALL LOOPS. Pass supply wire through one FIXTURE CHAIN alternating links and pass the supply wire through CEILING CANOPY.

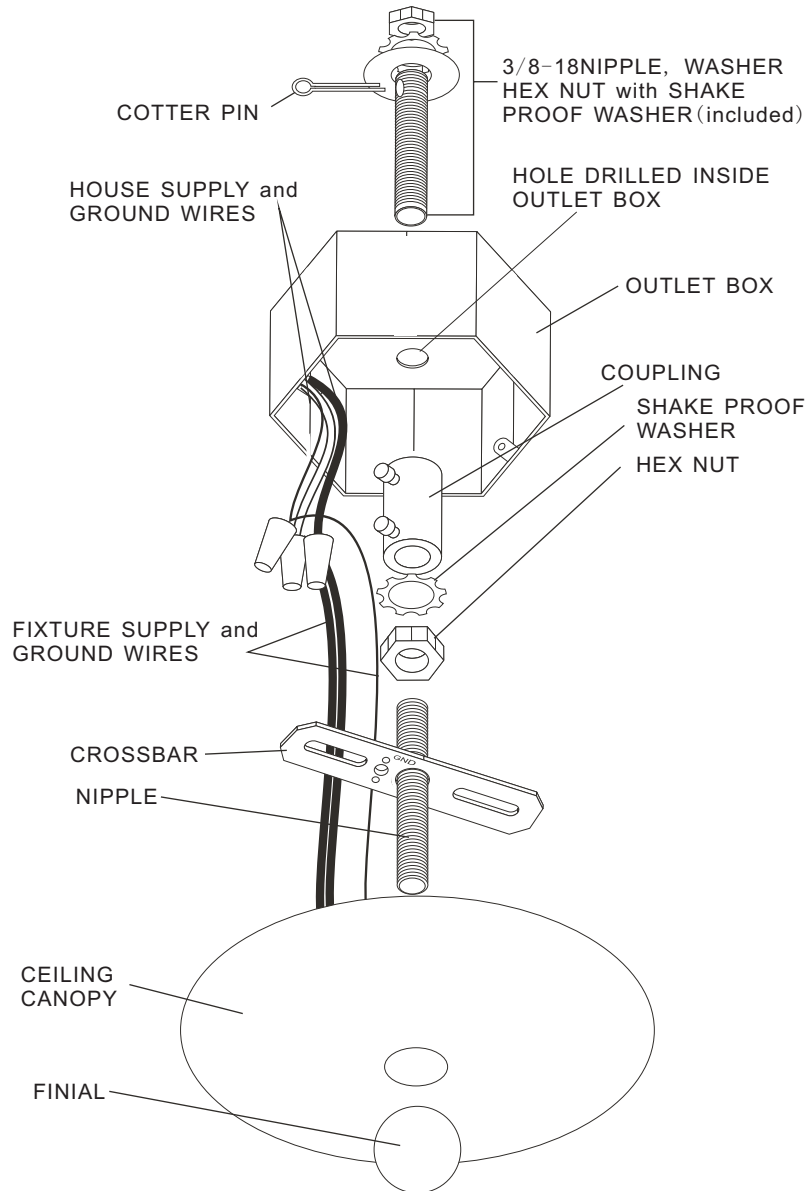
6. **MAKING THE WIRING CONNECTIONS:**  
(Quoizel recommends (2) people for the next 2 installations) Using wire connectors (not supplied) connect the HOUSE GROUND WIRE to the FIXTURE GROUND WIRE; connect the HOUSE WHITE WIRE to the FIXTURE SUPPLY WIRE (WHITE or RIBBED SIDE); connect the HOUSE BLACK (or RED) WIRE to the FIXTURE SUPPLY WIRE (BLACK or SMOOTH SIDE). Wrap each connection with approved electrical tape.
7. With the proper connections made, proceed to thread the LOCK NUT B and SHAKE PROOF WASHER B onto the bottom of the NIPPLE. Lift CEILING CANOPY upward and make the center hole over the end of NIPPLE. Be sure that all wires are carefully tucked into OUTLET BOX cavity. Secure by threading KNOB onto end of NIPPLE and hand tighten until snug.
8. Install bulbs referring to fixture markings and/or labels for maximum wattage.
9. Restore power to the installation point ON. Retain this sheet for future reference.

**IF IN DOUBT ABOUT ELECTRICAL INSTALLATION,  
CONSULT A LICENSED ELECTRICIAN!**

**INSTALLATION INSTRUCTIONS (FOR FIXTURES OVER 25 LBS. --Canada Only)**

Please use the information outlined in this sheet for the ceiling installation part of your fixture assembly.

**FIGURE 1**



**Quoizel recommends a licensed electrician or contractor be consulted for this installation.**

1. Before installing fixture, carefully unpack and identify all parts referring to illustration FIGURE 1. Be sure the power to the installation point is OFF.
2. **The weight of this fixture will require a means of support independent of the OUTLET BOX. This fixture must be supported by 3/8-18 NPSM NIPPLE (supplied) The NIPPLE should be positioned so that 3/4" protrudes into the OUTLET BOX cavity. Note: the opposite end of the NIPPLE must be attached to a structural or bridging member of sufficient strength to support the fixture weight.** A COTTER PIN has been included and should be installed into the top of 3/8-18 NPSM NIPPLE, above HEX NUT for added safety. A clearance hole must be drilled on the inside top center of the OUTLET BOX. Please refer to Figure 2, page 3 for detailed illustration. We recommend the consultation of a licensed electrician or contractor due to the complexity of this installation.
3. With the 3/8-18 NPSM NIPPLE properly situated, locate COUPLING and proceed to thread onto the end of the NIPPLE protruding into the OUTLET BOX. Thread COUPLING onto pipe until tight. Tighten the top SET SCREW with pliers to secure COUPLING to NIPPLE. Locate the NIPPLE and thread HEX NUT onto top end. Pass SHAKE PROOF WASHER over top end. Thread top end of NIPPLE into the COUPLING. Using pliers, snug HEX NUT up against the COUPLING. Tighten lower SET SCREW with pliers to secure the NIPPLE. Proceed to thread CROSSBAR and secure it onto OUTLET BOX by (2) OUTLET BOX SCREWS (not supplied).
4. Turn back to STEP 5, PAGE 1 for rest installations.

**FIGURE2: CRAWL SPACE/ATTIC CUT-AWAY**

