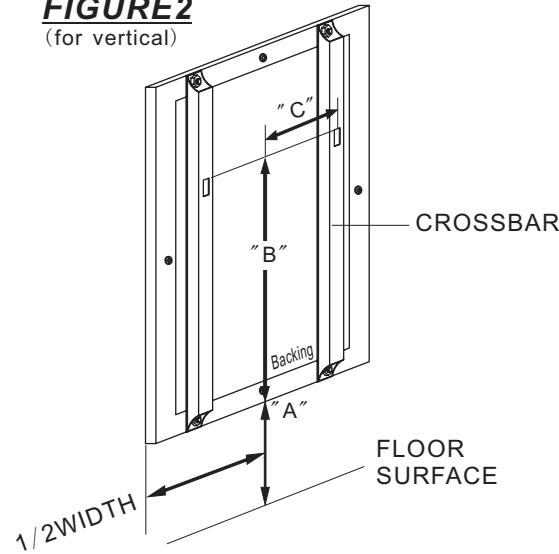


FIGURE 2
(for vertical)



ASSEMBLY/INSTALLATION INSTRUCTIONS:
(for vertical or horizontal)

- Carefully unpack MIRROR from carton and refer to illustration for parts identification.
- Position the MIRROR FRAME onto a flat work surface with the back facing you. Put the MIRROR with BACKING onto the MIRROR FRAME, and then place the CROSSBARS onto the back of the MIRROR FRAME, make the holes on the CROSSBARS over the studs on the back of the MIRROR FRAME. Position the LOCK WASHERS over the studs and secure with the HEX NUTS. Hand tighten until snug.
- Locate the DECORATIVE PARTS. Make the studs on the back of the parts through the holes on the MIRROR FRAME. Thread the HEX NUTS onto the studs from back and tighten until snug to secure the DECORATIVE PARTS.
- Determine the hanging method [Vertical or Horizontal] (Refer to FIGURE 2 or FIGURE 4) Lift and position where MIRROR will reside on wall surface and with a tape measure, mark distance from floor to the bottom edge of frame with a pencil. Mark should be located at a point representing 1/2 of mirror width. (Mark "A") (**Please note Quoizel recommends 2 people for this step**)
- Place the MIRROR on flat surface with back facing you. Measure the distance from the bottom edge of the MIRROR FRAME to the top edge of the hanging holes on the CROSSBARS. This represents distance "B" FIGURE 2 (or FIGURE 4). With tape measure, add this distance to MARK "A" on wall surface and mark with pencil. Measure the distance between the center of the hanging holes and add half of this distance from MARK "B" on each side and mark with pencil. (Distance "C" FIGURE 2 or FIGURE 4). Measure 3" up from MARK "C" and mark. These marks are locators for the (2) MIRROR HANGERS. Check for marks straightness with level.
- (Refer to FIGURE 3 or FIGURE 5) Locate (1) MIRROR HANGER and align the top center with (1) 3" locator mark. Secure to wall surface with (2) HANGER NAILS. Repeat process for remaining MIRROR HANGER. **Please note the MIRROR HANGERS are fully adjustable allowing for easy leveling.**
- With MIRROR HANGERS properly installed, be sure to make sure that the (2) BRACKET CATCHES are approximately equal in length from the top of MIRROR HANGERS. Adjust overall length with ADJUSTMENT SCREWS.
- With the help of another person, pass the top edge of the hanging holes on the CROSSBARS over the MIRROR HANGERS so that the CROSSBARS rest on the inside of the (2) BRACKET CATCHES.
- If needed, adjust mirror for straightness by eye or use level. Make corrections using ADJUSTMENT SCREWS on MIRROR HANGERS.
- Clean glass with household glass cleaner. Retain this sheet for future reference.

FIGURE 3

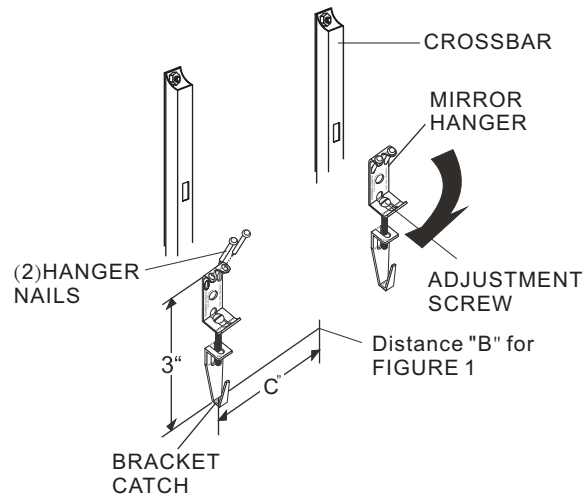


FIGURE 4
(for horizontal)

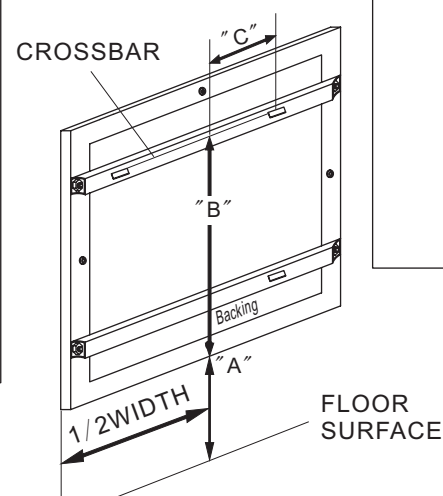
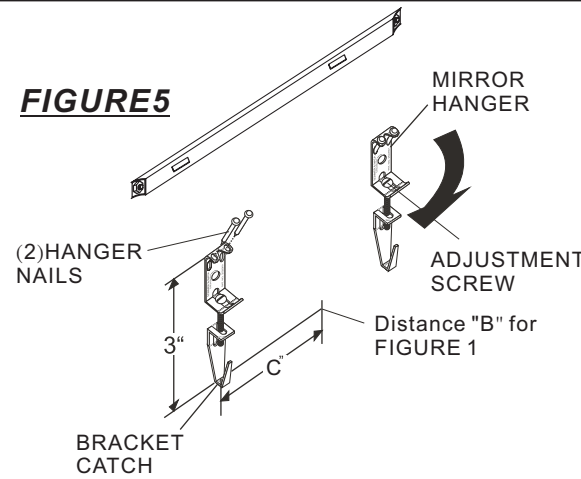


FIGURE 5



TOOLS REQUIRED:

- HAMMER
- REGULAR SCREWDRIVER
- TAPE MEASURE
- LEVEL

