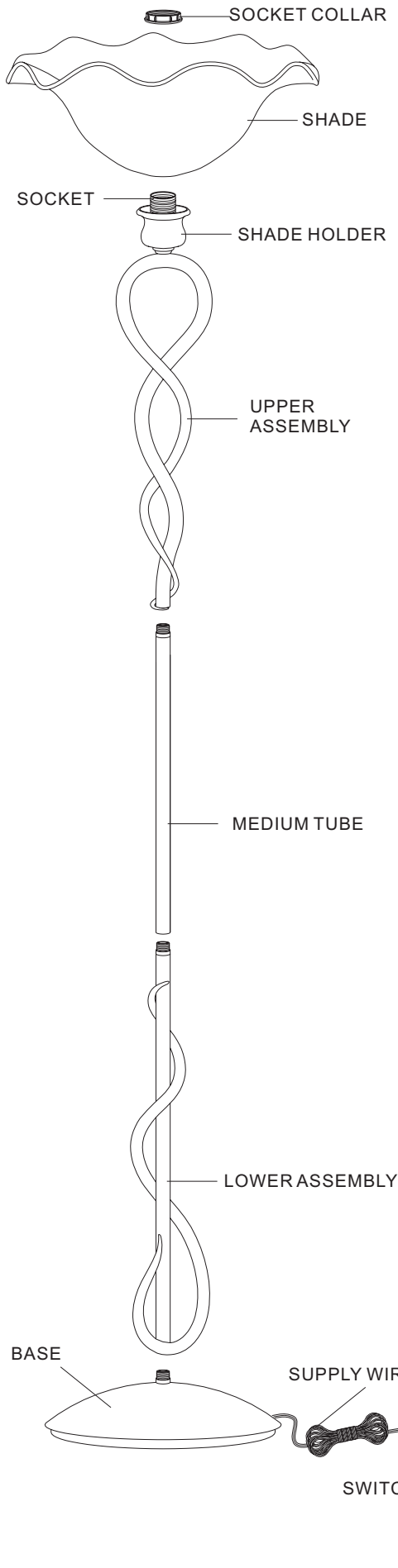


ASSEMBLY INSTRUCTIONS



1. Before assembling your floor lamp, carefully unpack and identify all of the parts referring to the illustration.
2. Put the BASE on a flat work surface. Thread the end of the LOWER ASSEMBLY onto the nipple on the top center of the BASE. Hand tighten until snug. Proceed to thread the LOWER ASSEMBLY, MEDIUM ROD and UPPER ASSEMBLY together and hand tighten until snug.
3. Position the SHADE over SOCKET, seating it onto the SHADE HOLDER. Secure it by threading the SOCKET COLLAR onto the SOCKET and hand tighten until snug.
4. Install bulb referring to fixture markings and/or labels for maximum wattage.
5. Plug the SUPPLY WIRE into outlet box. Retain this sheet for future reference.

NOTE: FEDERAL REGULATION

THE TORCHIERE LUMINAIRE YOU HAVE PURCHASED HAS A "POWER LIMITING DEVICE" INCORPORATED INTO THE LAMP CORD.

THIS DEVICE **PREVENTS** WATTAGES HIGHER THAN 180 WATTS. IF YOU INSTALL A LAMP ABOVE 180 WATTS, THE DEVICE WILL SHUT DOWN THE POWER TO THE UNIT.

IN ORDER TO TURN IT BACK ON, YOU WILL HAVE TO TURN OFF THE SWITCH, CHECK YOUR LAMP WATTAGE, REPLACE THE LAMP IF NECESSARY WITH A LOWER WATTAGE LAMP AND THEN RETURN THE SWITCH TO "ON". THE UNIT WILL RESET ITSELF IN A FEW SECONDS.