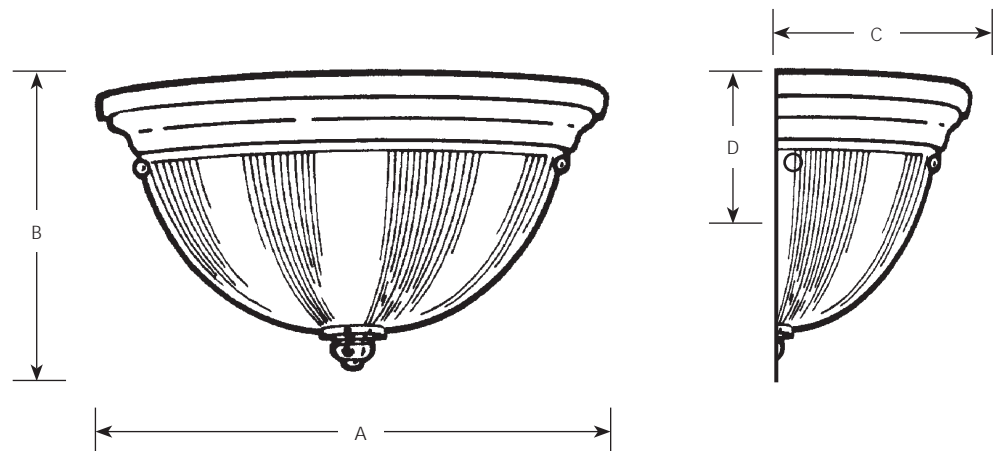


Type _____
-69
P7106

Catalog No.	Finish	Lamping	Socket	Dimensions (Inches)			
				A	B	C	D
P7106	White -69	2-13w Twin CF	GX23	16	8-1/2	8	2-3/4



Specifications:

General

- Ribbed, satin etched glass complete scone
- Brass accents
- Direct-Indirect illumination

Mounting

- Horizontal wall mount
- Covers outlet box
- Wallplate is 4-1/2" x 5"
- Mounting strap included for mounting to outlet box

Electrical

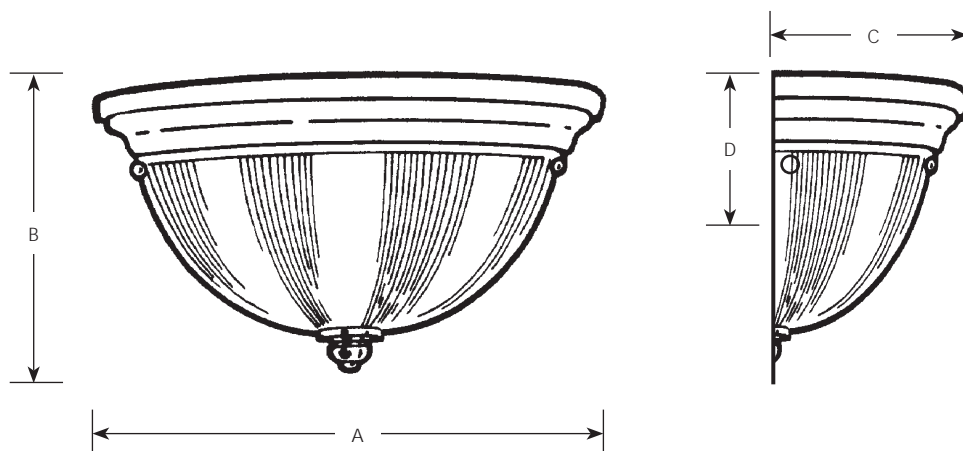
- 120V HPF ballast
- Pre-wired
- GX23 sockets

Labels

- UL-CUL listed

Type _____
-69STRWB
P7106

Catalog No.	Finish	Lamping	Socket	Dimensions (Inches)			
	White			A	B	C	D
P7106	-69STRWB	2-13w Quad CFL (4-pin)	GX4q-1	16	8-1/2	8	2-3/4



Specifications:

General

- Ribbed, satin etched glass complete scone
- Plated Brass accents
- Unit complies with Energy Star requirements
- Includes back plate
- Steel Construction

Electrical

- Pre-wired
- 120v NPF electronic ballast
- G24q-1 sockets

Labels

- UL-CUL listed

Mounting

- Horizontal wall mount
- Back plate covers a standard 4" octagonal recessed outlet box
- Back plate is 4-1/2" W, 5" Ht
- Mounting strap included for mounting to outlet box



Progress Lighting
Post Office Box 5704
Spartanburg, South Carolina
29304-5704

www.progresslighting.com