



Compact Fluorescent

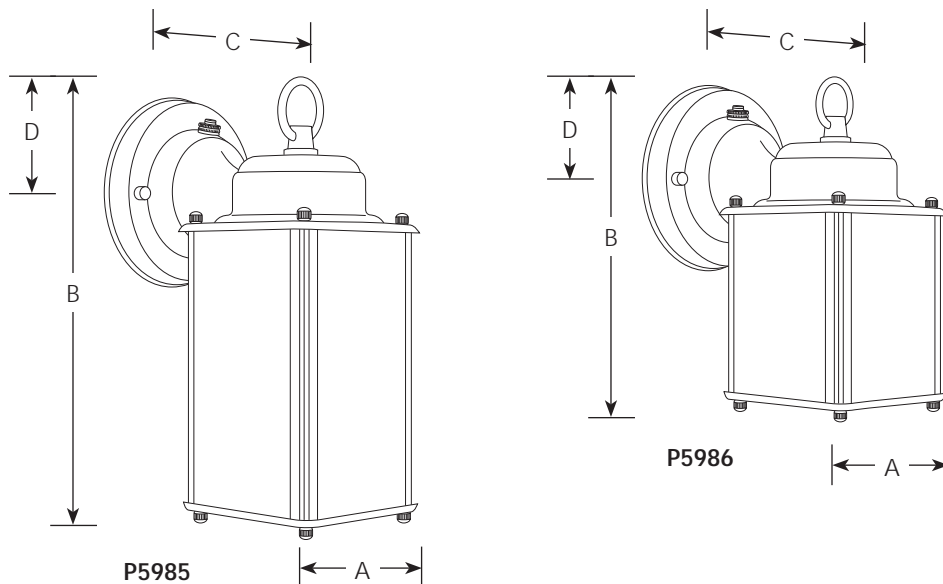
Roman Coach
Energy Star

Outdoor

	Type					
	-09EB	-10EB	-19EB	-31EB	-33EB	-50EB
P5985	<input type="checkbox"/>	<input type="checkbox"/>	<input type="checkbox"/>	<input type="checkbox"/>	<input type="checkbox"/>	<input type="checkbox"/>
P5986	<input type="checkbox"/>	<input type="checkbox"/>	<input type="checkbox"/>	<input type="checkbox"/>	<input type="checkbox"/>	<input type="checkbox"/>

Catalog No.	Finish						Lamping	Dimensions (Inches)			
	Brushed Nickel	Polished Brass	Roman Bronze	Black	Cobblestone	Golden Baroque		A	B	C	D
P5985	-09EB	-10EB	-19EB	-31EB	-33EB	-50EB	1 26w 4-pin CF*	4-5/8	10	6-1/8	2-3/4
P5986	-09EB	-10EB	-19EB	-31EB	-33EB	-50EB	1 13w 4-pin CF*	4-5/8	8-1/2	6-1/8	2-3/4

* Spiral or triple tube



Specifications:

General

- Square style
- Solid brass construction
- Plated brushed nickel (-09), polished brass (-10) and roman bronze (-19); painted black (-31), cobblestone (-33), or golden baroque (-50) finishes
- Etched white glass panels
- Lamp replacement through bottom opening
- Energy Star certified

Mounting

- Wall mounted outdoor.
- Covers standard recessed octagonal outlet box
- Mounting strap for outlet box and cap nuts included

Electrical

- P5985 has a GX24q-3 based socket, and P5986 has a GX24q-1 socket
- 120v NPF electronic ballast
- Integral photocell turns unit off during daytime
- Unit will start down to 0 degrees F
- Pre-wired

Labeling

- UL-CUL "Wet Location" listed



Progress Lighting
701 Millennium Blvd.
Greenville, South Carolina
29607

www.progresslighting.com