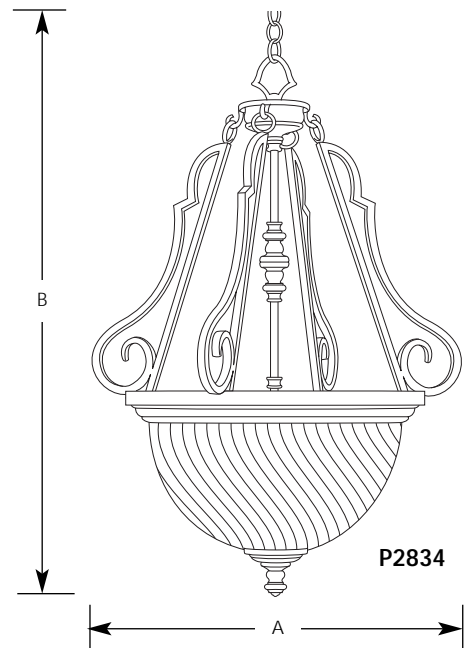
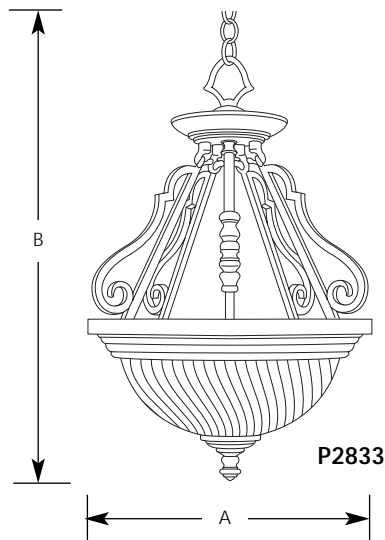


Type \_\_\_\_\_  
 -80 -102  
 P2833    
 P2834

Catalog No.	Finish		Lamping	Dimensions (Inches)		
	Forged Black	Roasted Java		A	B	C
P2833	-80	-102	3 (m) 100w	16	20-1/2	144
P2834	-80	-102	3 (m) 100w	24	32-3/8	155



**Specifications:**

General

- Antique swirl art glass inverted bowl
- Scrolled metalwork
- Square arms
- Painted finish
- 10 feet of 9 gauge chain supplied
- Steel Construction
- Companion chandeliers, hall and foyer, wall bracket, and close to ceiling units

Electrical

- Ceramic medium based sockets
- 15 feet of wire supplied
- Pre-wired

Labeling

- UL-CUL listed

Mounting

- Ceiling chain mounted, P2833 can also be direct ceiling mounted (Semi-flush)
- Canopy covers a standard 4" hexagonal outlet box
- Mounting strap for outlet box included

Progress Lighting  
 Post Office Box 5704  
 Spartanburg, South Carolina  
 29304-5704